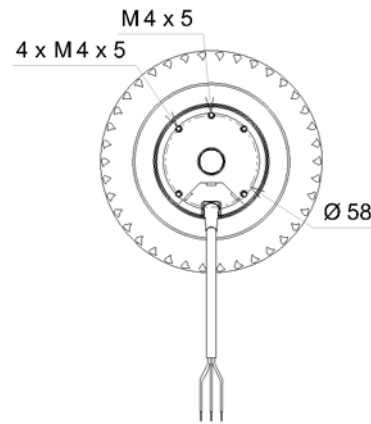
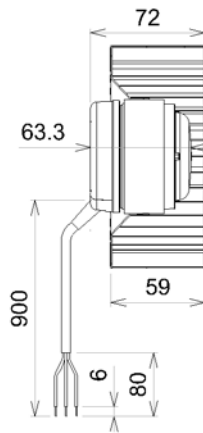
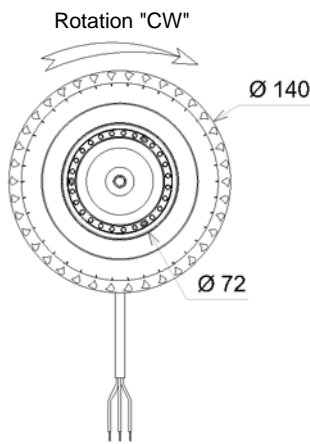


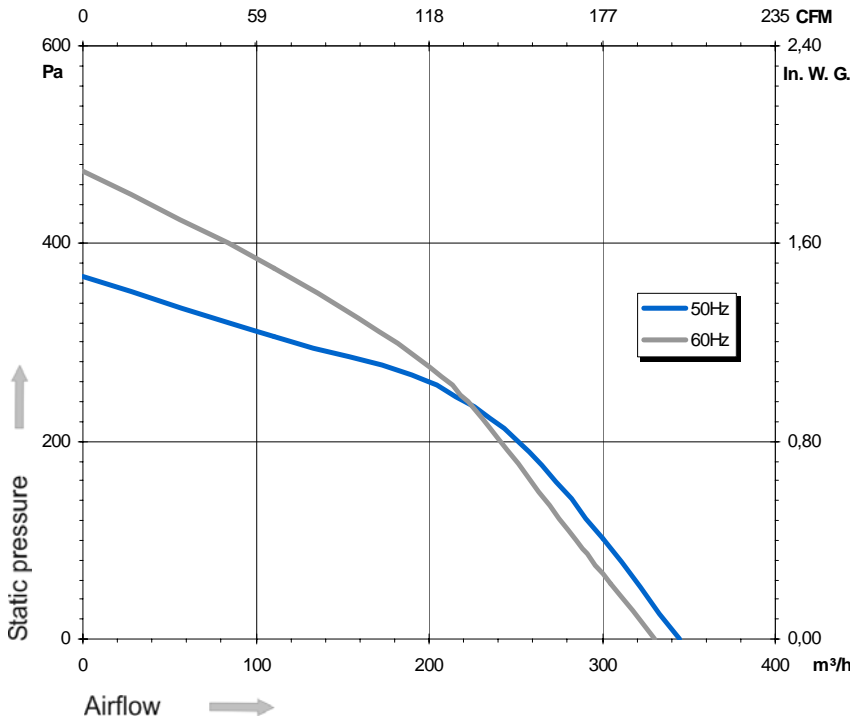
Ind. 0 - Revision : 02-2007

2TREA4 140x59R P/N D25-A3

Voltage	Frequency	Input power	Current	Capacitor	Airflow	Speed rotation	Noise level	Rotation direction	Operating temperature
V	Hz	Wa	A	µF	m³/h	RPM	dBA	↻	Min / Max
230	50	85	0,37	2,0	345	1 260	48	R	-20°C / +60°C
230	60	91	0,40	2,0	330	1 185	47	R	-20°C / +60°C
230	50				203 CFM				-4°F / +140°F
230	60				194 CFM				-4°F / +140°F



Non contractual document. All specifications are subject to change without prior notice. Picture for information only.



- Weight : 1,0 Kg
- Ball bearing
- Class F, thermally protected
- IP44 protection
- G2.5 balancing
- Galvanized steel impeller
- Rotor : black paint

Capacitor for 50Hz: 19008
 Capacitor for 60Hz: 19008
 Finger guard: 21325
 Inlet cone: 16043

