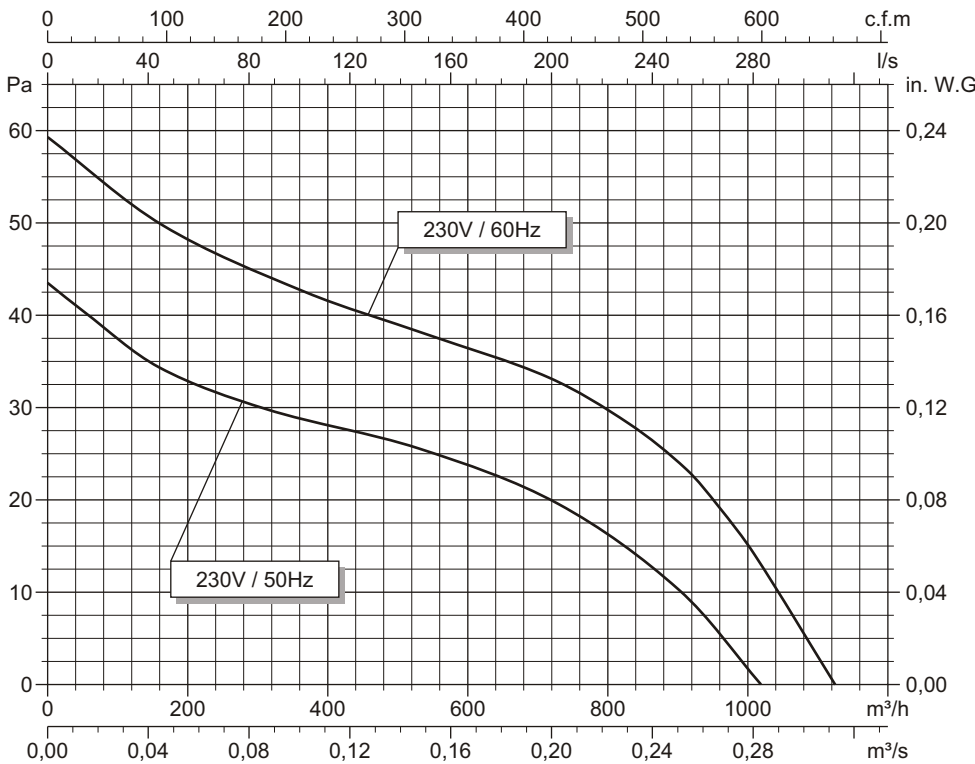
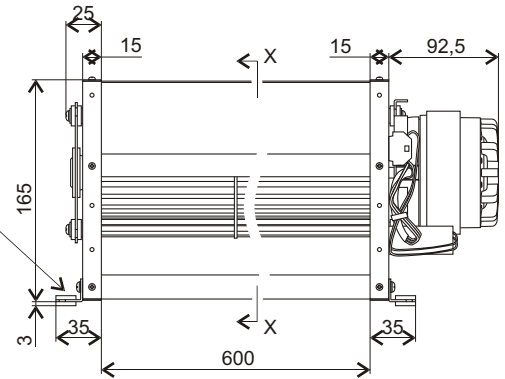
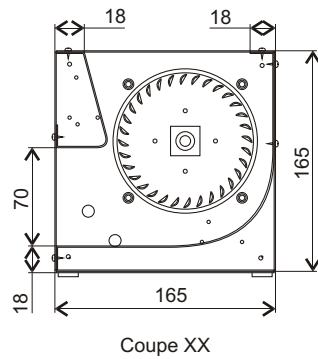
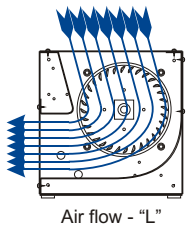
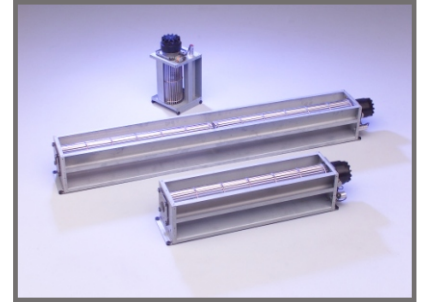


For professional use only. Please refer to the conditions of use of our catalogue.

April 2002

4TGL35 100x600R code T10-20

Voltage	Frequency	Input power	Current	Capacitor	Air flow	Rotational speed	Sound level	Direction of rotation	Max. Air temp.
V	Hz	Wa	A	μF	m ³ /h	rpm	dBA	↻	°C
230	50	85	0,39	2,5	1020	1240	56	R	-20 / +60
230	60	100	0,45	2,5	1125	1370	59	R	-20 / +60



- Ball bearings.
- Cl.F windings protected by thermal cut-out.
- Protection IP 20.
- Balancing G2.5.
- Scroll housing in zinc coated sheet steel.
- Impeller in aluminium.
- Capacitor fixed on the scroll and connected to a WAGO Connector.

