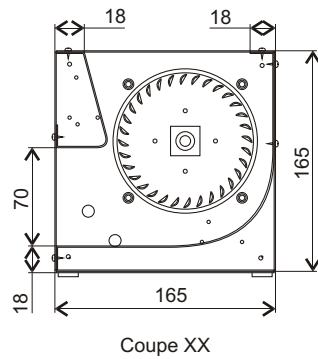
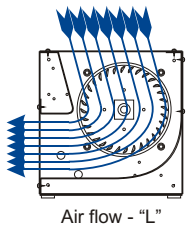
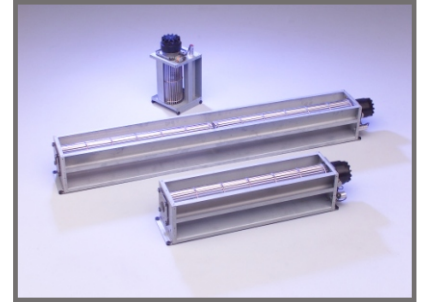


For professional use only. Please refer to the conditions of use of our catalogue.

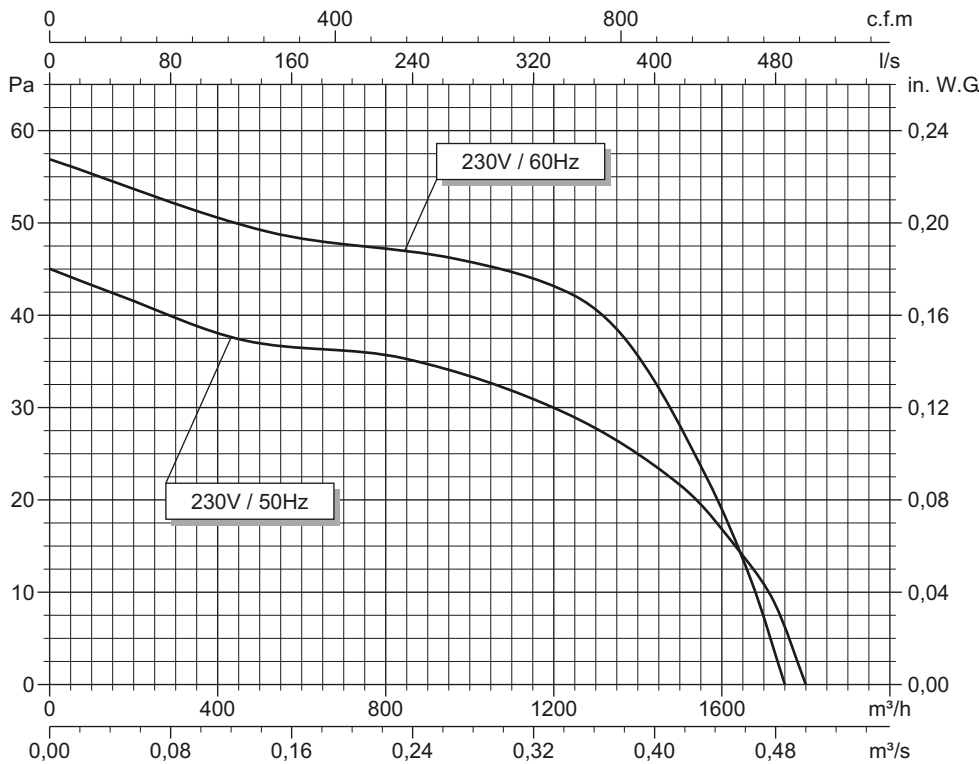
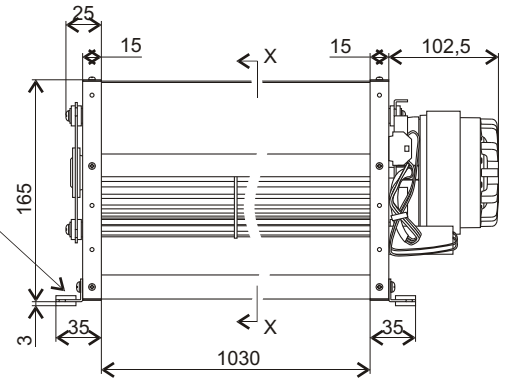
April 2002

4TGL45 100x1030R code T10-22

Voltage	Frequency	Input power	Current	Capacitor	Air flow	Rotational speed	Sound level	Direction of rotation	Max. Air temp.
V	Hz	Wa	A	μF	m ³ /h	rpm	dBA	↻	°C
230	50	112	0,52	2,5	1800	1215	58	R	-20 / +60
230	60	132	0,55	2,5	1750	1520	63	R	-20 / +60



4 mounting silent-blocs.



- Ball bearings.
- Cl.F windings protected by thermal cut-out.
- Protection IP 20.
- Balancing G2.5.
- Scroll housing in zinc coated sheet steel.
- Impeller in aluminium.
- Capacitor fixed on the scroll and connected to a WAGO Connector.

