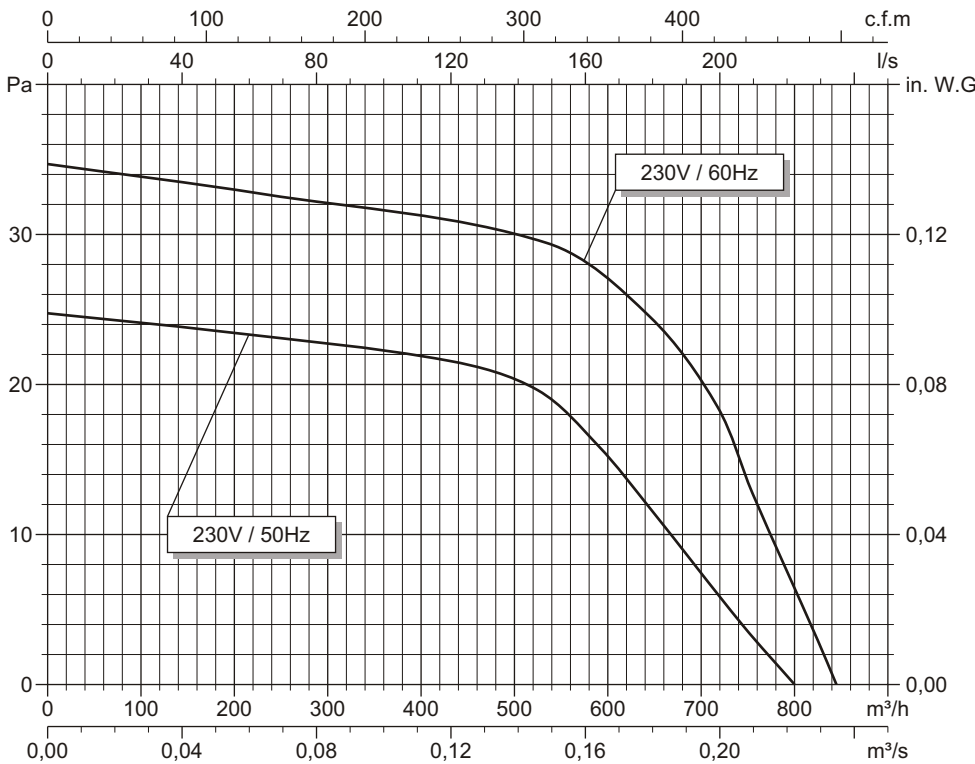
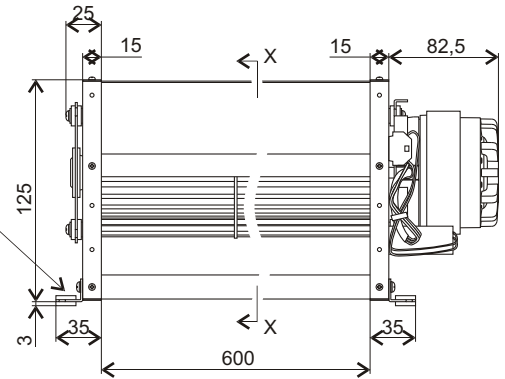
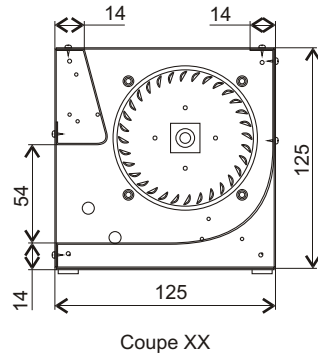
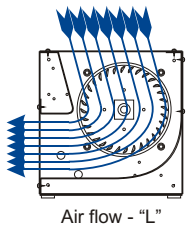
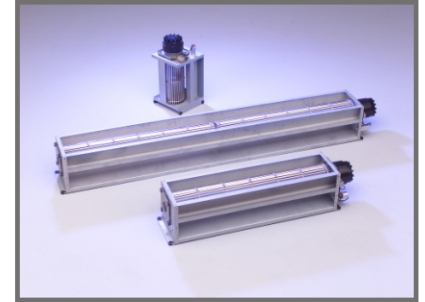


For professional use only. Please refer to the conditions of use of our catalogue.

April 2002

## 4TGL25 80x600R code Z21-34

Voltage	Frequency	Input power	Current	Capacitor	Air flow	Rotational speed	Sound level	Direction of rotation	Max. Air temp.
V	Hz	Wa	A	µF	m <sup>3</sup> /h	rpm	dBA	↻	°C
230	50	52	0,24	1,5	800	1275	55	R	-20 / +60
230	60	65	0,32	1,5	845	1420	58	R	-20 / +60



- Ball bearings.
- Cl.F windings protected by thermal cut-out.
- Protection IP 20.
- Balancing G2.5.
- Scroll housing in zinc coated sheet steel.
- Impeller in aluminium.
- Capacitor fixed on the scroll and connected to a WAGO Connector.

