



Size Range

92 x 92 x 38 mm  
AC AXIAL FAN

3,62 x 3,62 x 1,5 "

### TECHNICAL DATA

#### Characteristics

- Weight: 0,615 Kg / 1,36 Lb
- Housing in ZAMAK
- Impeller in plastic UL 94 V-0
- L-10 life expectancy at 40°C: 80.000 hours
- Operating temperature range: -10 / +70 °C
- Storage temperature: -40 / +70°C
- Connection: Terminals
- GAM T1 listed
- Impedance protected
- IP20

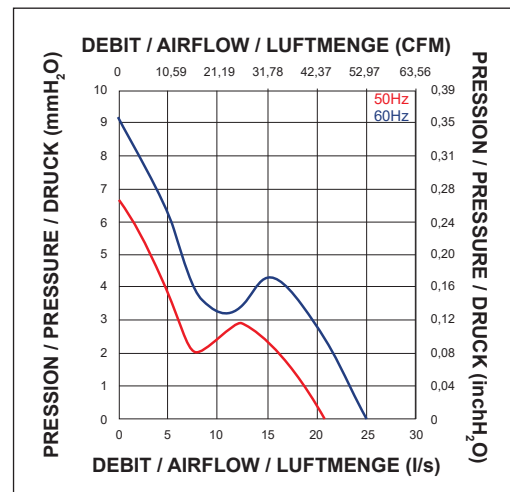
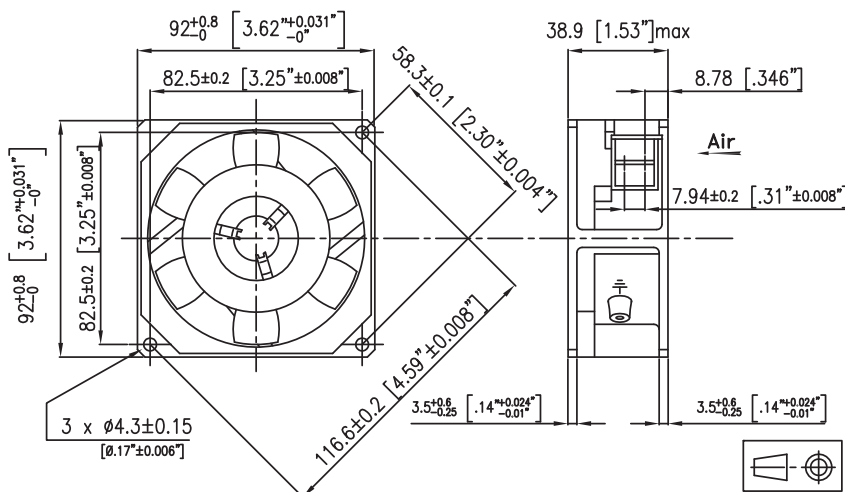
#### Options

- Speed sensor
- Other IP levels
- Flying leads connection
- Salt spray protection
- Shocks and vibrations protection
- Marine application
- Wide temperature range
- Other voltages

### ELECTRICAL AND AERAILIC DATA

Part Number	Voltage	Frequency	Nb Phases	Airflow		Pressure		Nominal speed RPM	Noise level LP dBA	Nominal current mA	Starting current mA	power W	Capacitor µF
	V	Hz		l/s	CFM	mm H <sub>2</sub> o	inch H <sub>2</sub> o						
113XN0182000	115	50	1	21,00	44,52	6,70	0,26	2850	36	140	270	10,00	
	115	60	1	25,00	53,00	9,00	0,35	3300	41	115	220	9,00	
113XN0181000	220	50	1	21,00	44,52	6,70	0,26	2850	36	85	160	12,00	
	220	60	1	25,00	53,00	9,00	0,35	3300	41	75	140	11,00	

### DRAWING AND AIRFLOW CURVE



Non contractual document. All specifications are subject to change without prior notice. For professional use only. Please refer to the conditions of use of our catalogue.