



Size Range

172 x 150 x 38 mm 6,77 x 5,9 x 1,5 "
BDC AXIAL FAN

TECHNICAL DATA

Characteristics

- Weight: 0,77 Kg / 1,7 Lb
- Housing in ZAMAK
- Impeller in plastic UL 94 V-0
- L-10 life expectancy at 40°C: 80.000 hours
- Operating temperature range: -10 / +55 °C
- Storage temperature: -40 / +70°C
- Connection: Terminals
- Brushless DC motor
- Integrated circuit
- IP20

Options

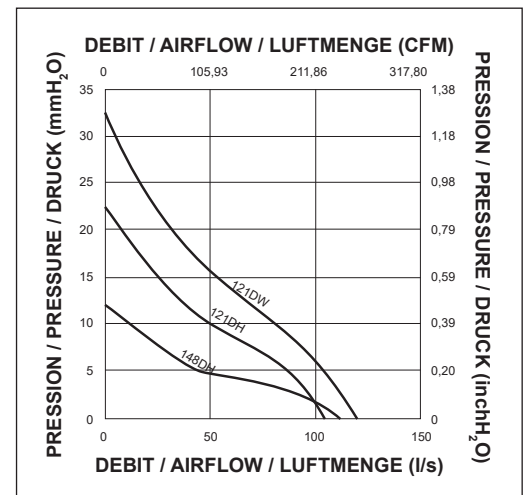
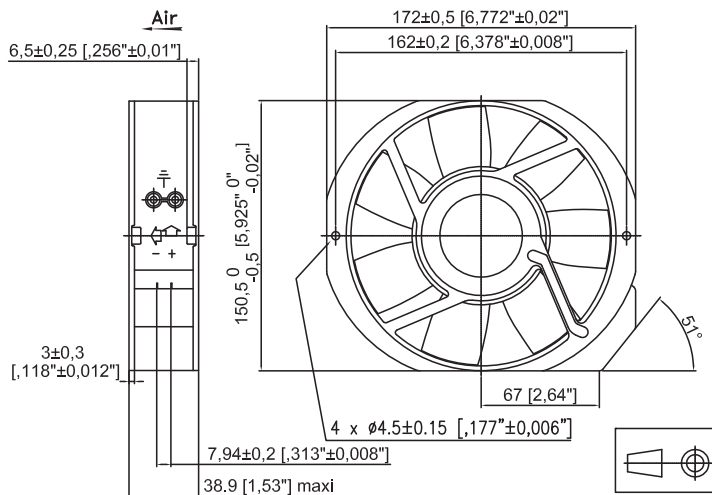
- Speed sensor
- Alarm
- Other IP levels up to IP66
- Flying leads connection
- Salt spray protection
- Shocks and vibrations protection
- Marine application
- Wide temperature range
- Other voltages
- Others speeds

ELECTRICAL AND AERAILIC DATA

Part Number	Voltage	Voltage range	Airflow		Pressure		Nominal speed	Noise level LP	Nominal current	power
	V		l/s	CFM	mm H ₂ o	inch H ₂ o	RPM	dBA	mA	W
121DH2TM11200*	24	19-28V	105,00	222,60	22,50	0,89	4000	62	958	23,00
148DH1TM11000	12	9-15V	110,00	233,20	12,50	0,49	3100	57	1080	13,00
148DH2TM11000	24	19-28V	112,00	237,44	12,00	0,47	3100	58	683	16,40
148DH4TM11000	48	40-57V	112,00	237,44	12,00	0,47	3100	58	340	16,30
148DH9TM11000	110	76-140V	112,00	237,44	12,00	0,47	3100	58	122	13,40
121DW2TM11200*	24	19-26,5V	120,00	254,40	32,51	1,28	4650	66	1250	30,00
121DW9TM11200*	28	19-31V	120,00	254,40	32,50	1,28	4650	66	1071	30,00

*121D are not UL listed

DRAWING AND AIRFLOW CURVE



Non contractual document. All specifications are subject to change without prior notice. For professional use only. Please refer to the conditions of use of our catalogue.