



Size Range 172 x 150 x 38 mm 6,77 x 5,9 x 1,5 "  
400Hz AXIAL FAN

### TECHNICAL DATA

#### Characteristics

- Weight: 0,775 Kg / 1,71 Lb
- Housing in Aluminium
- Helice in plastic
- L-10 life expectancy at 40°C: 35.000 hours
- Operating temperature range: -10 / +70 °C
- Storage temperature: -54 / +85°C
- Connection: Leads
- GAM T1 listed
- IP20

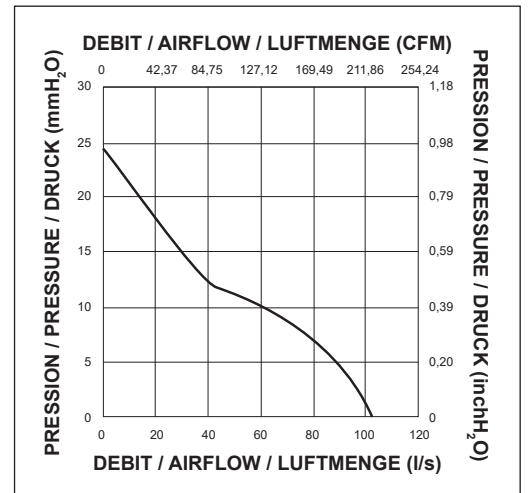
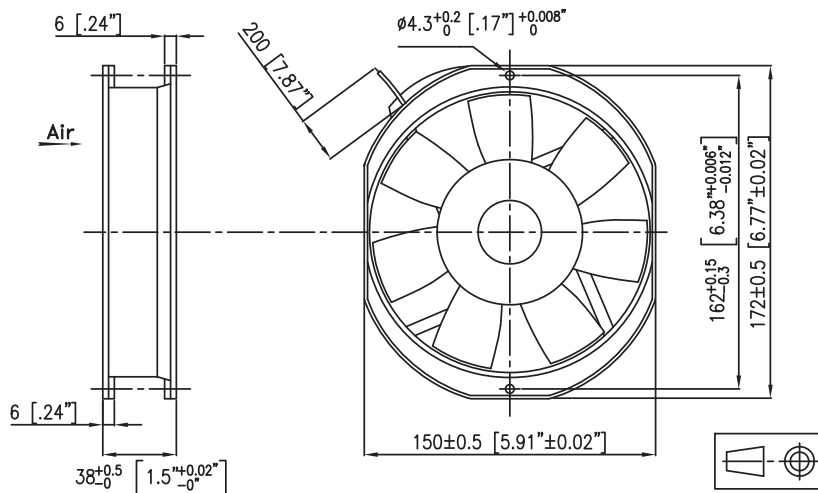
#### Options

- Salt spray protection
- Shocks and vibrations protection
- Marine application
- Wide temperature range
- Other voltages
- NATO Codification (not on all part numbers, please consult the factory for more detailed information)

### ELECTRICAL AND AERAILIC DATA

Part Number	Voltage	Frequency	Nb Phases	Airflow		Pressure		Nominal speed	Noise level LP	Nominal current	Starting current	power	Capacitor
				l/s	CFM	mm H <sub>2</sub> o	inch H <sub>2</sub> o						
121VY0162001 NR	115	400	1	103,00	218,36	24,00	0,94	3750	62	0,41	0,55	39,00	0,32
121VY0160001 NR	200	400	1	103,00	218,36	24,00	0,94	3750	62	0,35	0,49	39,00	0,10

### DRAWING AND AIRFLOW CURVE



Non contractual document. All specifications are subject to change without prior notice. For professional use only. Please refer to the conditions of use of our catalogue.