



Size Range 120 x 120 x 38 mm 4,72 x 4,72 x 1,5 "

BDC AXIAL FAN

TECHNICAL DATA

Characteristics

- Weight: 0,33 Kg / 0,73 Lb
- Housing in plastic UL 94 V-0
- Impeller in plastic UL 94 V-0
- L-10 life expectancy at 40°C: 80.000 hours
- Operating temperature range: -40 / +70 °C except DX and DZ : -20 / +70 °C
- Storage temperature: -40 / +70°C
- Connection: Leads
- Brushless DC motor
- Integrated circuit
- IP20

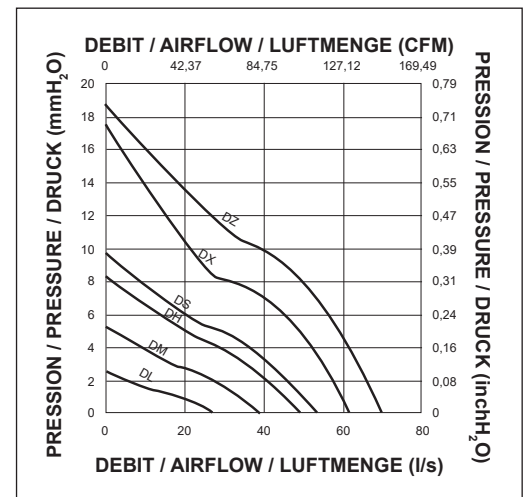
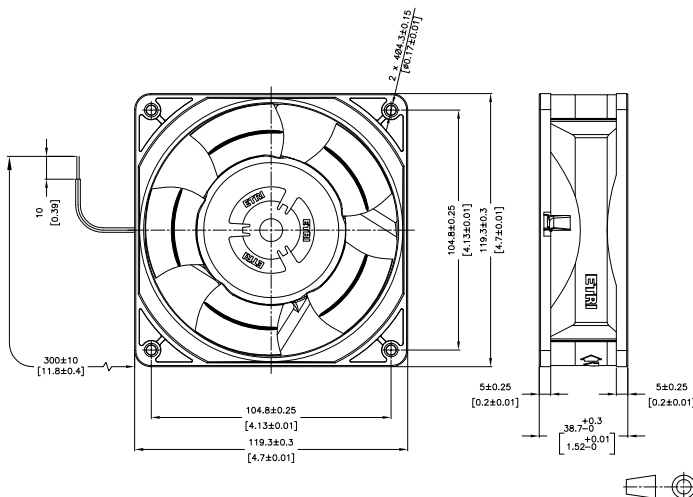
Options

- Speed sensor
- Alarm
- Other IP levels up to IP66
- Other voltages
- PWM in development
- Special construction : salt spray, dry cold, wet heat, shock, vibration. Contact us for more information.

ELECTRICAL AND AERAILIC DATA

Part Number	Voltage	Voltage range	Airflow		Pressure		Nominal speed	Noise level LP	Nominal current	power
	V		l/s	CFM	mm H ₂ o	inch H ₂ o	RPM	dBA	mA	W
125DL1LP11000 A	12	6V-15V	27,00	57,24	2,52	0,10	1725	30	115	1,38
125DL2LP11000 A	24	14V-28V	27,00	57,24	2,52	0,10	1725	30	65	1,56
125DL4LP11000 A	48	22V-56V	27,00	57,24	2,52	0,10	1725	30	39	1,85
125DM1LP11000 A	12	6V-15V	39,00	82,68	5,27	0,21	2450	38	230	2,76
125DM2LP11000 A	24	14V-28V	39,00	82,68	5,27	0,21	2450	38	130	3,12
125DM4LP11000 A	48	22V-56V	39,00	82,68	5,27	0,21	2450	38	67	3,19
125DH1LP11000 A	12	6V-15V	49,00	103,88	8,32	0,33	3080	43	435	5,22
125DH2LP11000 A	24	14V-28V	49,00	103,88	8,32	0,33	3080	43	197	4,73
125DH4LP11000 A	48	22V-56V	49,00	103,88	8,32	0,33	3080	43	122	5,85
125DS1LP11000 A	12	6V-15V	53,00	112,36	9,75	0,38	3480	46	695	8,34
125DS2LP11000 A	24	14V-28V	53,00	112,36	9,75	0,38	3480	46	306	7,34
125DS4LP11000 A	48	22V-56V	53,00	112,36	9,75	0,38	3480	46	164	7,87
125DX1LP11000 A	12	6V-15V	61,10	129,53	16,83	0,66	3870	48	730	8,80
125DX2LP11000 A	24	14V-28V	61,10	129,53	16,83	0,66	3870	48	400	9,60
125DX4LP11000 A	48	22V-56V	61,10	129,53	16,83	0,66	3870	48	210	10,10
125DZ1LP11000 A	12	6V-15V	69,44	147,21	18,35	0,72	4400	51	1050	12,60
125DZ2LP11000 A	24	14V-28V	69,44	147,21	18,35	0,72	4400	51	690	13,90
125DZ4LP11000 A	48	22V-56V	69,44	147,21	18,35	0,72	4400	51	290	13,90

DRAWING AND AIRFLOW CURVE



Non contractual document. All specifications are subject to change without prior notice. For professional use only. Please refer to the conditions of use of our catalogue.