



Size Range 120 x 120 x 38 mm 4,72 x 4,72 x 1,5 " BDC AXIAL FAN

TECHNICAL DATA

Characteristics

- Weight: 0,28 Kg / 0,62 Lb
- Housing in plastic UL 94 V-0
- Impeller in plastic UL 94 V-0
- L-10 life expectancy at 40°C: 80.000 hours
- Operating temperature range: -25 / +70 °C
- Storage temperature: -50 / +70°C
- Connection: Leads
- Brushless DC motor
- Integrated circuit
- IP20

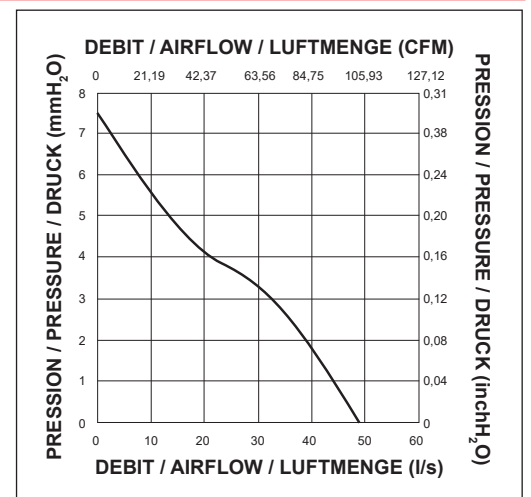
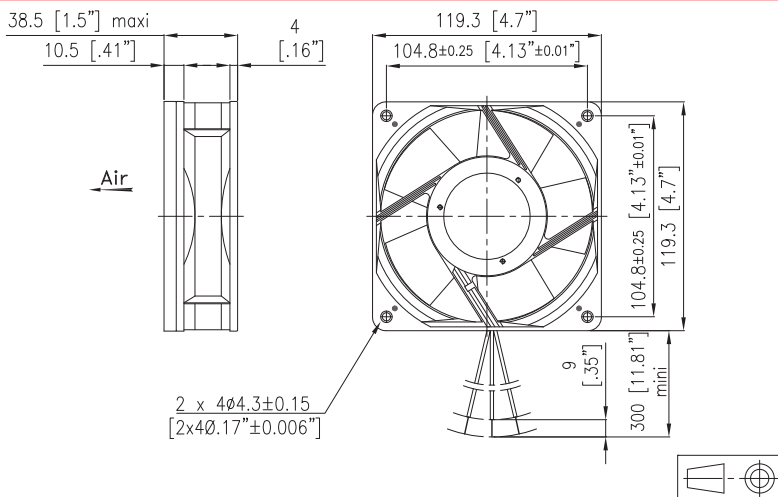
Options

- Speed sensor
- Alarm
- Other IP levels up to IP66
- Salt spray protection
- Shocks and vibrations protection
- Marine application
- Wide temperature range
- Other voltages
- Others speeds

ELECTRICAL AND AERAILIC DATA

Part Number	Voltage	Voltage range	Airflow		Pressure		Nominal speed	Noise level LP	Nominal current	power
	V		l/s	CFM	mm H ₂ o	inch H ₂ o	RPM	dBA	mA	W
125DH9LP11241	110	82-146V	49,00	103,88	7,44	0,29	3050	43	51	5,60

DRAWING AND AIRFLOW CURVE



Non contractual document. All specifications are subject to change without prior notice. For professional use only. Please refer to the conditions of use of our catalogue.