



Size Range 120 x 120 x 38 mm 4,72 x 4,72 x 1,5 "
AC AXIAL FAN

TECHNICAL DATA

Characteristics

- Weight: 0,56 Kg / 1,24 Lb
- Housing in Aluminium
- Impeller in plastic UL 94 V-0
- L-10 life expectancy at 40°C: 80.000 hours
- Operating temperature range: -10 / +55 °C
- Storage temperature: -40 / +70°C
- Connection: Terminals
- Impedance protected
- IP20

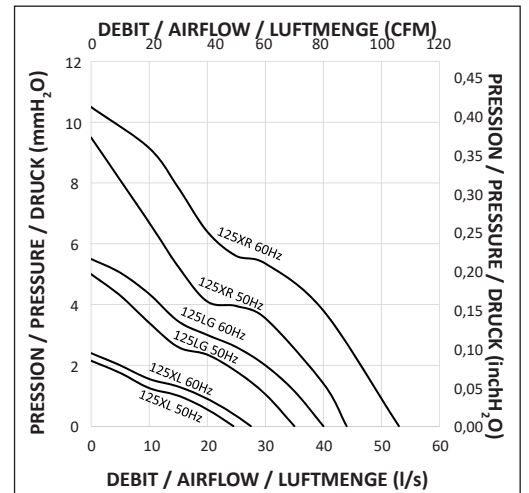
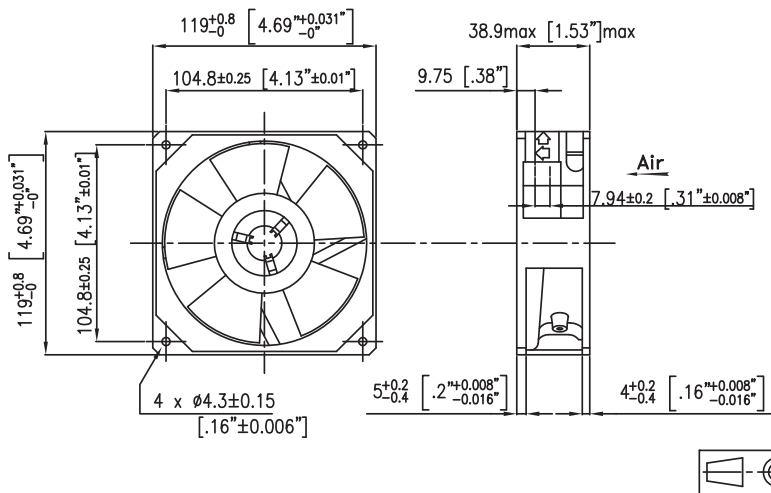
Options

- Speed sensor
- Other IP levels
- Flying leads connection
- Salt spray protection
- Shocks and vibrations protection
- Marine application
- Wide temperature range
- Other voltages
- Dual voltage 115-230V

ELECTRICAL AND AERAILIC DATA

Part Number	Voltage Frequency		Nb Phases	Airflow		Pressure		Nominal speed RPM	Noise level LP dBA	Nominal current mA	Starting current mA	power W	Capacitor μF
	V	Hz		l/s	CFM	mm H ₂ O	inch H ₂ O						
125XL0282010	115	50	1	25,00	53,00	2,20	0,09	1600	30	135	145	12,00	
	115	60	1	27,00	57,24	2,40	0,09	1750	32	115	125	10,00	
125XL0281010	220	50	1	25,00	53,00	2,20	0,09	1600	30	75	90	12,00	
	220	60	1	27,00	57,24	2,40	0,09	1750	32	65	75	10,00	
125LG0282010	115	50	1	35,00	74,20	5,00	0,20	2200	38	200	260	16,00	
	115	60	1	40,00	84,80	5,50	0,22	2500	41	160	220	13,00	
125LG0281010	220	50	1	35,00	74,20	5,00	0,20	2200	38	110	140	18,00	
	220	60	1	40,00	84,80	5,50	0,22	2500	41	90	120	15,00	
125XR0282090	115	50	1	44,00	93,28	9,50	0,37	2800	44	200	310	16,00	
	115	60	1	53,00	112,36	10,50	0,41	3200	48	180	260	15,00	
125XR0281090	220	50	1	44,00	93,28	9,50	0,37	2800	44	125	170	18,00	
	220	60	1	53,00	112,36	10,50	0,41	3200	48	105	150	15,00	

DRAWING AND AIRFLOW CURVE



Non contractual document. All specifications are subject to change without prior notice. For professional use only. Please refer to the conditions of use of our catalogue.