



Size Range

120 x 120 x 38 mm 4,72 x 4,72 x 1,5 " AC AXIAL FAN

TECHNICAL DATA

Characteristics

- Weight: 0,56 Kg / 1,24 Lb
- Housing in Aluminium
- Impeller in plastic UL 94 V-0
- L-10 life expectancy at 40°C: 80.000 hours
- Operating temperature range: -10 / +70 °C
- Storage temperature: -40 / +70°C
- Connection: Terminals
- Impedance protected
- IP20

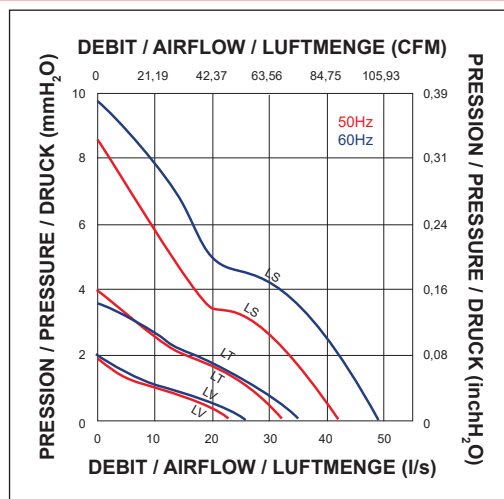
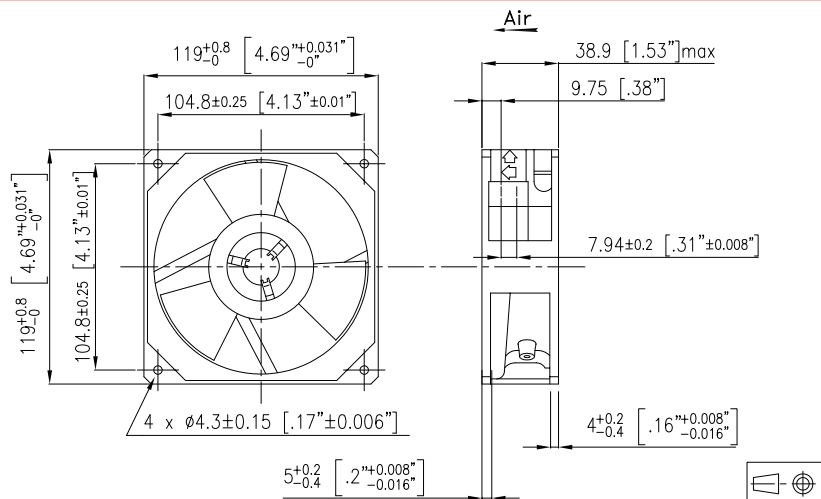
Options

- Speed sensor
- Other IP levels
- Flying leads connection
- Salt spray protection
- Shocks and vibrations protection
- Marine application
- Wide temperature range
- Other voltages

ELECTRICAL AND AERAILIC DATA

Part Number	Voltage	Frequency	Nb Phases	Airflow		Pressure		Nominal speed RPM	Noise level LP dBA	Nominal current mA	Starting current mA	power W	Capacitor μF
	V	Hz		l/s	CFM	mm H _o	inch H _o						
141LV0282010	115	50	1	23,50	49,82	1,90	0,07	1600	28	110	125	9,00	
	115	60	1	26,00	55,12	1,90	0,07	1700	28	100	110	8,00	
141LV0281010	220	50	1	23,50	49,82	1,90	0,07	1600	28	60	70	10,00	
	220	60	1	26,00	55,12	1,90	0,07	1700	28	55	65	9,00	
141LT0282010	115	50	1	33,00	69,96	4,00	0,16	2200	35	125	160	10,00	
	115	60	1	35,00	74,20	3,60	0,14	2400	39	110	140	9,00	
141LT0281010	220	50	1	33,00	69,96	4,00	0,16	2200	35	75	90	12,00	
	220	60	1	35,00	74,20	3,60	0,14	2400	39	65	75	10,00	
141LS0282010	115	50	1	42,00	89,04	8,50	0,33	2800	45	160	275	13,00	
	115	60	1	48,00	101,76	9,50	0,37	3200	50	140	240	12,00	
141LS0281010	220	50	1	42,00	89,04	8,50	0,33	2800	45	95	150	14,00	
	220	60	1	48,00	101,76	9,50	0,37	3200	50	80	130	12,00	

DRAWING AND AIRFLOW CURVE



Non contractual document. All specifications are subject to change without prior notice. For professional use only. Please refer to the conditions of use of our catalogue.