



Size Range

110 x 80 x 25 mm  
AC AXIAL FAN

4,33 x 3,15 x 1 "

### TECHNICAL DATA

#### Characteristics

- Weight: 0,3 Kg / 0,66 Lb
- Housing in ZAMAK
- Impeller in plastic UL 94 V-0
- L-10 life expectancy at 40°C: 80.000 hours
- Operating temperature range: -10 / +70 °C
- Storage temperature: -40 / +70°C
- Connection: Leads
- Impedance protected
- IP20

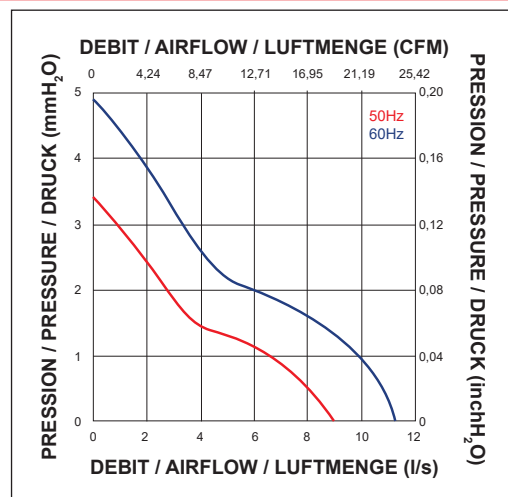
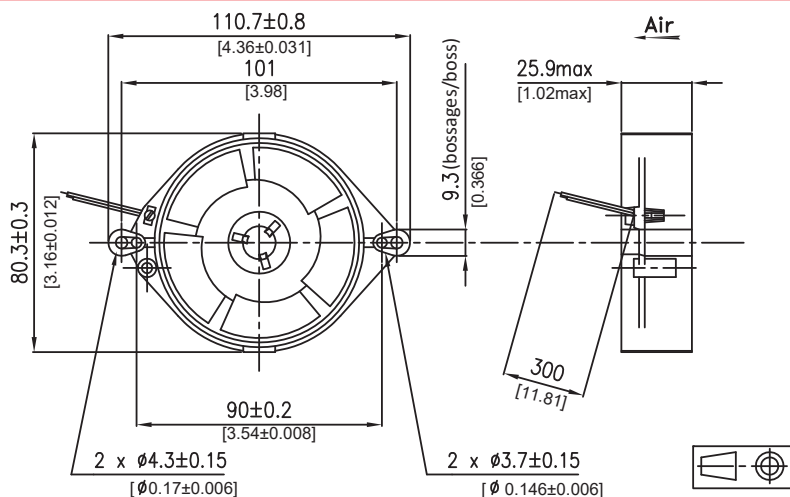
#### Options

- Other IP levels
- Salt spray protection
- Shocks and vibrations protection
- Marine application
- Wide temperature range
- Other voltages

### ELECTRICAL AND AERAILIC DATA

Part Number	Voltage Frequency		Nb Phases	Airflow		Pressure		Nominal speed RPM	Noise level LP dBA	Nominal current mA	Starting current mA	power W	Capacitor μF
	V	Hz		l/s	CFM	mm H <sub>o</sub>	inch H <sub>o</sub>						
146DF0182004	115	50	1	9,00	19,08	3,30	0,13	2500	26	70	120	6,00	
	115	60	1	11,00	23,32	4,80	0,19	3100	32	60		5,00	

### DRAWING AND AIRFLOW CURVE



Non contractual document. All specifications are subject to change without prior notice. For professional use only. Please refer to the conditions of use of our catalogue.