



Size Range

200 x 70 mm
BDC AXIAL FAN

7,87 x 2,75 "

TECHNICAL DATA

Characteristics

- Weight: 2,5 Kg / 5,53 Lb
- Housing in Aluminium
- Impeller in plastic UL 94 V-0
- L-10 life expectancy at 40°C: 40.000 hours
- Operating temperature range: -30 / +60 °C
- Connection: Leads
- Brushless DC motor
- IP55

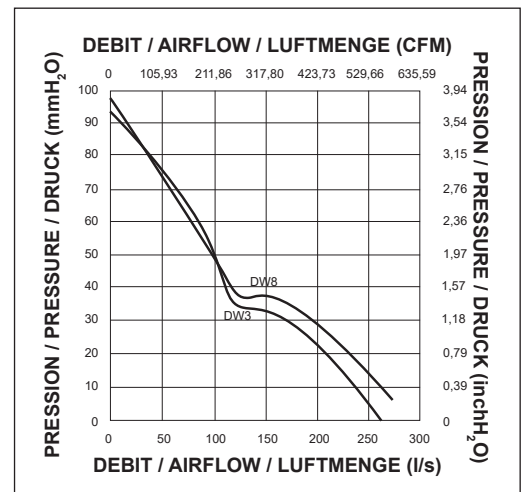
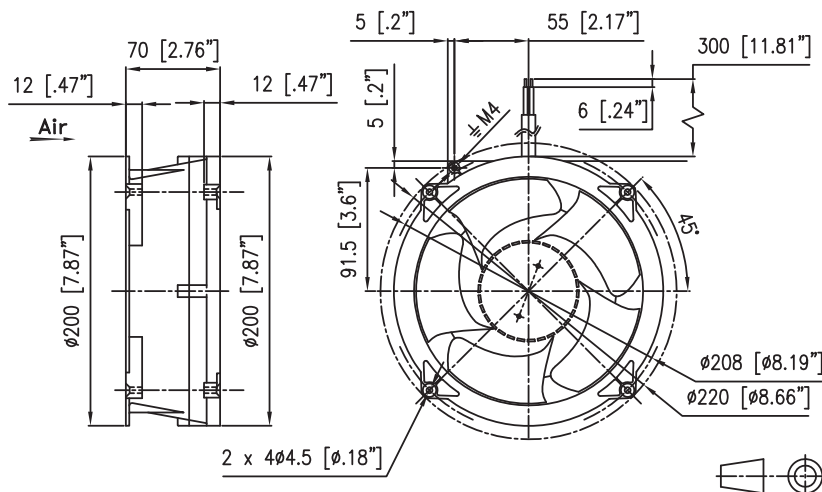
Options

- Speed sensor
- Alarm
- Other IP levels
- Salt spray protection
- Shocks and vibrations protection
- Marine application
- Other voltages
- Others speeds

ELECTRICAL AND AERAILIC DATA

Part Number	Voltage	Voltage range	Airflow		Pressure		Nominal speed	Noise level LP	Nominal current	power
	V		l/s	CFM	mm H ₂ o	inch H ₂ o	RPM	dBA	A	W
200DW3LM11000	28	19,6V-35V	260,00	551,20	95,75	3,77	5020	75	6,55	184,00
200DW8LM11000	110	77V-137,5V	270,00	572,40	98,71	3,88	5190	75	1,57	172,00

DRAWING AND AIRFLOW CURVE



Non contractual document. All specifications are subject to change without prior notice. For professional use only. Please refer to the conditions of use of our catalogue.