



Size Range 126,2 x 127,6 x 41 mm 4,97 x 5,02 x 1,61 " AC CENTRIFUGAL FAN

TECHNICAL DATA

Characteristics

- Weight: 0,8 Kg / 1,77 Lb
- Housing in ZAMAK
- Impeller in plastic UL 94 V-0
- L-10 life expectancy at 40°C: 80.000 hours
- Operating temperature range: -10 / +70 °C
- Storage temperature: -40 / +70°C
- Connection: Terminals
- Impedance protected
- IP20

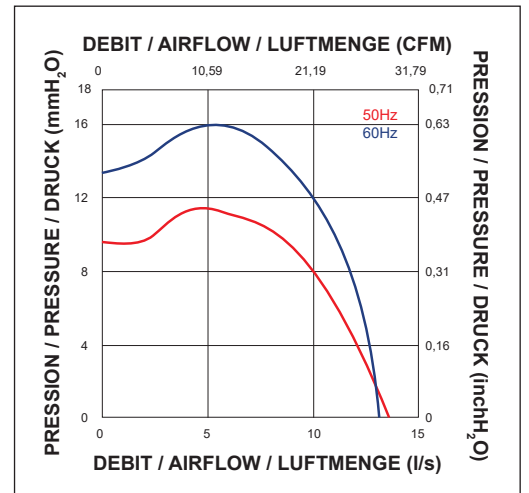
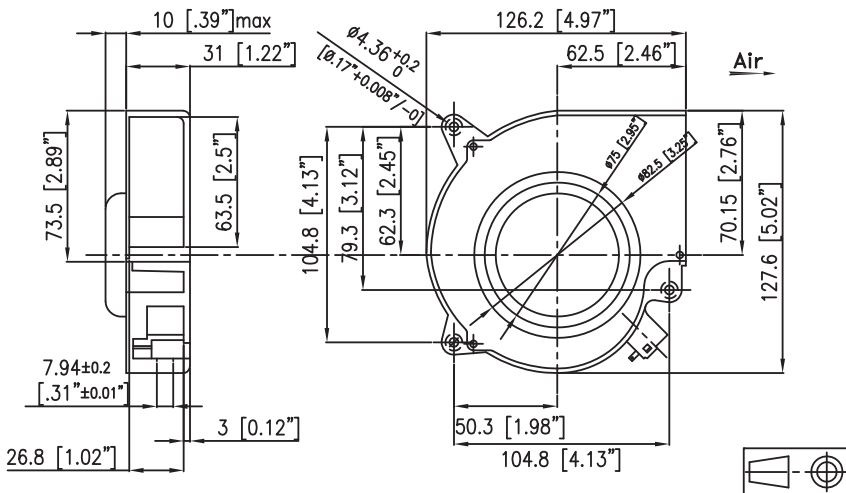
Options

- Other IP levels
- Flying leads connection
- Salt spray protection
- Shocks and vibrations protection
- Marine application
- Other voltages

ELECTRICAL AND AERAILIC DATA

Part Number	Voltage	Frequency	Nb Phases	Airflow		Pressure		Nominal speed RPM	Noise level LP dBA	Nominal current mA	Starting current mA	power W	Capacitor μF
	V	Hz		l/s	CFM	mm H ₂ o	inch H ₂ o						
583CBA0092000	115	50	1	13,50	28,62	9,50	0,37	2550	49	270	400	21,00	
	115	60	1	13,20	27,98	13,50	0,53	2500	51	250	350	20,00	
583CBA0091000	220	50	1	13,50	28,62	9,50	0,37	2550	49	140	210	21,00	
	220	60	1	13,20	27,98	13,50	0,53	2500	51	130	185	20,00	

DRAWING AND AIRFLOW CURVE



Non contractual document. All specifications are subject to change without prior notice. For professional use only. Please refer to the conditions of use of our catalogue.