



Size Range 350 x 177 mm 13,77 x 6,97 "  
AC HIGH PERFORMANCES AXIAL FAN

### TECHNICAL DATA

#### Characteristics

- Weight: 13,1 Kg / 28,95 Lb
- Housing in Aluminium
- Impeller in metal
- L-10 life expectancy at 40°C: 25.000 hours
- Operating temperature range: -10 / +70 °C
- Storage temperature: -54 / +85°C
- Connection: Terminal box
- IP42

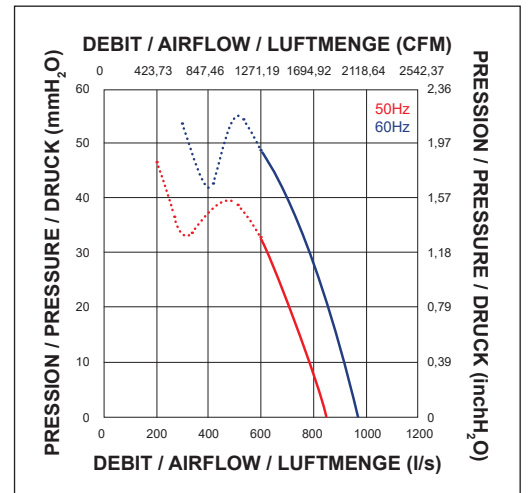
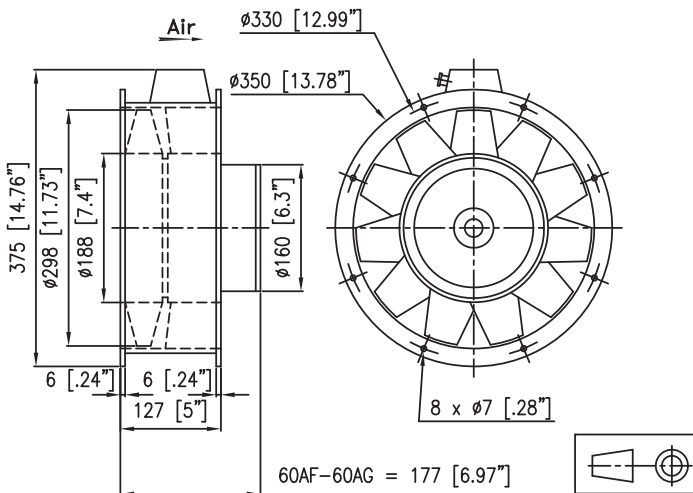
#### Options

- Speed sensor
- Other IP levels
- Salt spray protection
- Shocks and vibrations protection
- Marine application
- Wide temperature range
- Other voltages
- Safety switch
- NATO Codification (not on all part numbers, please consult the factory for more detailed information)

### ELECTRICAL AND AERAILIC DATA

Part Number	Voltage	Frequency	Nb Phases	Airflow		Pressure		Nominal speed RPM	Noise level LP dBA	Nominal current A	Starting current A	power W	Capacitor µF
	V	Hz		l/s	CFM	mm H <sub>2</sub> o	inch H <sub>2</sub> o						
60AF026DC13	220	50	3	850,00	1802,00	60,00	2,36	2900	82	1,70	14,00	385,00	
	380	50	3	850,00	1802,00	60,00	2,36	2900	82	1,00	8,10	385,00	
	220	60	3	975,00	2067,00	78,00	3,07	3350	86	1,80	12,20	555,00	
	380	60	3	975,00	2067,00	78,00	3,07	3350	86	1,05	7,10	555,00	
60AG0266C13	127	50	1	850,00	1802,00	60,00	2,36	2900	82	4,45	25,00	445,00	44,70
	127	60	1	975,00	2067,00	78,00	3,07	3350	86	4,70	22,50	580,00	44,70
60AG0261C13	220	50	1	850,00	1802,00	60,00	2,36	2900	82	2,55	14,50	445,00	14,70
	220	60	1	975,00	2067,00	78,00	3,07	3350	86	2,70	13,00	580,00	14,70

### DRAWING AND AIRFLOW CURVE



Non contractual document. All specifications are subject to change without prior notice. For professional use only. Please refer to the conditions of use of our catalogue.