



Size Range 200 x 222,5 x 225,2 mm 7,87 x 8,76 x 8,86 "
AC HIGH PERFORMANCES CENTRIFUGAL FAN

TECHNICAL DATA

Characteristics

- Weight: 4,9 Kg / 10,83 Lb
- Housing in Aluminium
- Turbine in metal
- L-10 life expectancy at 40°C: 25.000 hours
- Operating temperature range: -10 / +70 °C
- Storage temperature: -54 / +85°C
- Connection: Leads
- GAM T1 listed
- IP40

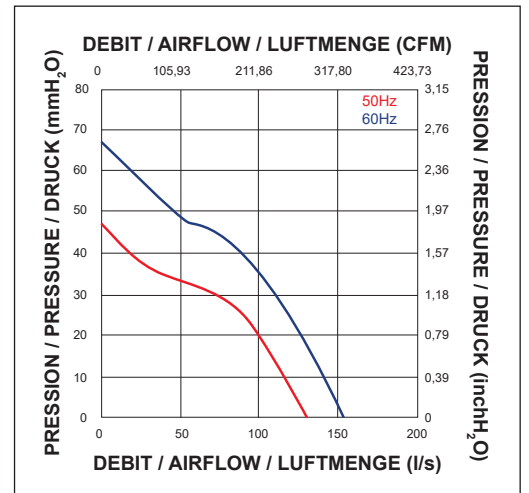
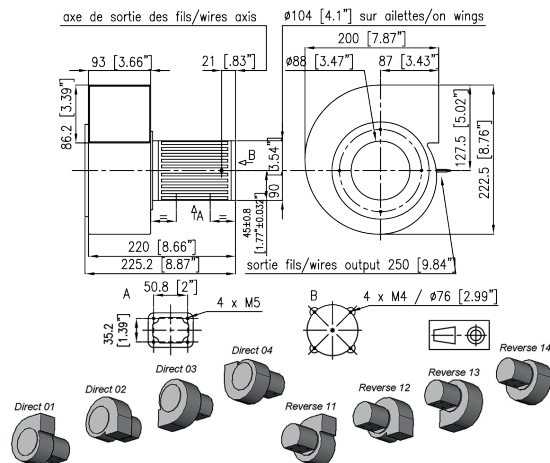
Options

- Speed sensor
- Other IP levels
- Salt spray protection
- Shocks and vibrations protection
- Marine application
- Wide temperature range
- Other voltages
- Safety switch

ELECTRICAL AND AERAULIC DATA

Part Number	Voltage	Frequency	Nb Phases	Airflow		Pressure		Nominal speed RPM	Noise level LP dBA	Nominal current A	Starting current A	power W	Capacitor µF
	V	Hz		l/s	CFM	mm H ₂ o	inch H ₂ o						
625COS016DC13	220	50	3	130,00	275,60	47,00	1,85	2850	65	0,56	2,10	156,00	
	380	50	3	130,00	275,60	47,00	1,85	2850	65	0,52	2,50	155,00	
	220	60	3	155,00	328,60	67,00	2,64	3300	68	0,61	2,00	223,00	
	380	60	3	155,00	328,60	67,00	2,64	3300	68	0,46	2,15	210,00	
	220	50	1	130,00	275,60	47,00	1,85	2850	65	1,00	3,60	156,00	6,90
	380	50	1	130,00	275,60	47,00	1,85	2850	65	0,90	4,25	155,00	2,20
	220	60	1	155,00	328,60	67,00	2,64	3300	68	1,10	3,45	223,00	6,90
	380	60	1	155,00	328,60	67,00	2,64	3300	68	0,80	3,70	210,00	2,20
625COS116DC13	220	50	3	130,00	275,60	47,00	1,85	2850	65	0,56	2,10	156,00	
	380	50	3	130,00	275,60	47,00	1,85	2850	65	0,52	2,50	155,00	
	220	60	3	155,00	328,60	67,00	2,64	3300	68	0,61	2,00	223,00	
	380	60	3	155,00	328,60	67,00	2,64	3300	68	0,46	2,15	210,00	
	220	50	1	130,00	275,60	47,00	1,85	2850	65	1,00	3,60	156,00	6,90
	380	50	1	130,00	275,60	47,00	1,85	2850	65	0,90	4,25	155,00	2,20
	220	60	1	155,00	328,60	67,00	2,64	3300	68	1,10	3,45	223,00	6,90
	380	60	1	155,00	328,60	67,00	2,64	3300	68	0,80	3,70	210,00	2,20

DRAWING AND AIRFLOW CURVE



Non contractual document. All specifications are subject to change without prior notice. For professional use only. Please refer to the conditions of use of our catalogue.