



Size Range

239,5 x 85 mm 9,43 x 3,35 "  
AC HIGH PERFORMANCES AXIAL FAN

### TECHNICAL DATA

#### Characteristics

- Weight: 4,2 Kg / 9,28 Lb
- Housing in Aluminium
- Impeller in metal
- L-10 life expectancy at 40°C: 25.000 hours
- Operating temperature range: -10 / +70 °C
- Storage temperature: -54 / +85°C
- Connection: Leads
- GAM T1 listed
- IP40

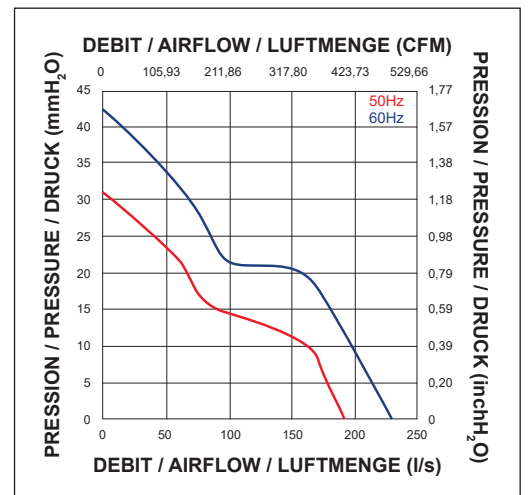
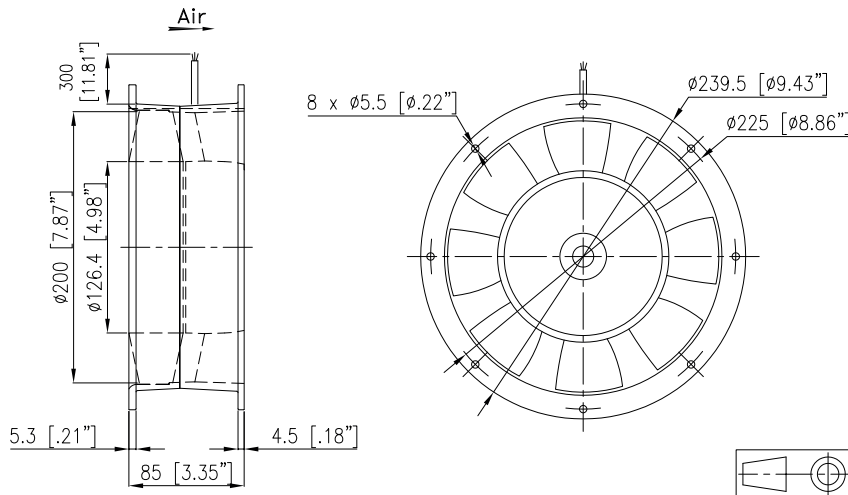
#### Options

- Speed sensor
- Other IP levels
- Salt spray protection
- Shocks and vibrations protection
- Marine application
- Wide temperature range
- Other voltages
- Safety switch
- Terminal block
- NATO Codification (not on all part numbers, please consult the factory for more detailed information)

### ELECTRICAL AND AERAILIC DATA

Part Number	Voltage Frequency		Nb Phases	Airflow		Pressure		Nominal speed RPM	Noise level LP dBA	Nominal current A	power W	Capacitor µF
	V	Hz		l/s	CFM	mm H <sub>2</sub> o	inch H <sub>2</sub> o					
62GP016DC13 A	230	50	3	190,00	402,80	31,10	1,22	2930	67	0,29	46,00	
	400	50	3	190,00	402,80	31,10	1,22	2930	67	0,17	46,00	
	230	60	3	230,00	487,60	42,83	1,69	3450	72	0,25	61,00	
	400	60	3	230,00	487,60	42,83	1,69	3450	72	0,15	61,00	
	230	50	1	190,00	402,80	31,10	1,22	2930	67	0,28	45,00	3,20
	400	50	1	190,00	402,80	31,10	1,22	2930	67	0,17	45,00	1,00
	230	60	1	230,00	487,60	42,83	1,69	3450	72	0,28	62,00	3,20
	400	60	1	230,00	487,60	42,83	1,69	3450	72	0,16	62,00	1,00

### DRAWING AND AIRFLOW CURVE



Non contractual document. All specifications are subject to change without prior notice. For professional use only. Please refer to the conditions of use of our catalogue.