



Size Range

120 x 120 x 25 mm 4,72 x 4,72 x 1 "  
AC AXIAL FAN

### TECHNICAL DATA

#### Characteristics

- Weight: 0,465 Kg / 1,03 Lb
- Housing in ZAMAK
- Impeller in plastic UL 94 V-0
- L-10 life expectancy at 40°C: 80.000 hours
- Operating temperature range: -10 / +70 °C
- Storage temperature: -54 / +85°C
- Connection: Terminals
- Impedance protected
- IP20

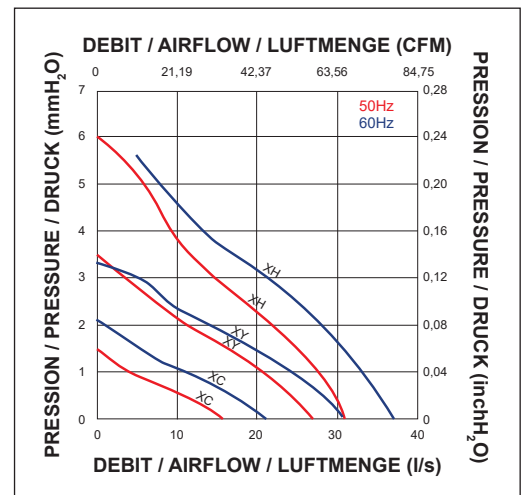
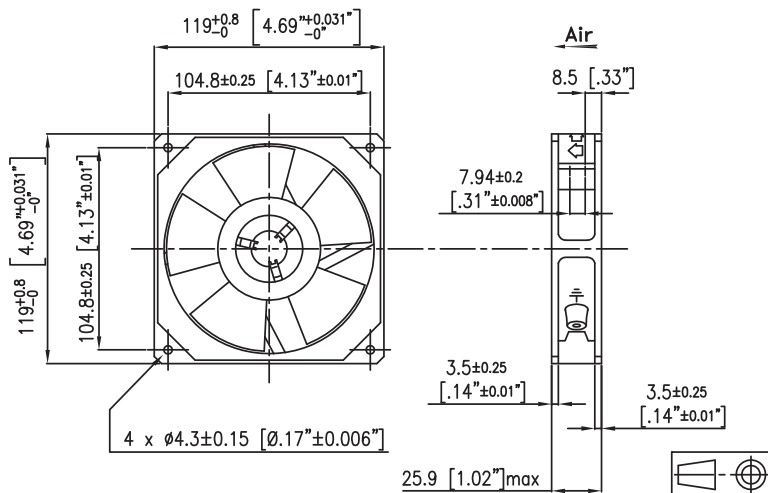
#### Options

- Speed sensor
- Other IP levels
- Flying leads connection
- Salt spray protection
- Shocks and vibrations protection
- Marine application
- Wide temperature range
- Other voltages

### ELECTRICAL AND AERAILIC DATA

Part Number	Voltage Frequency		Nb Phases	Airflow		Pressure		Nominal speed RPM	Noise level LP dBA	Nominal current mA	Starting current mA	power W	Capacitor µF
	V	Hz		l/s	CFM	mm H <sub>o</sub>	inch H <sub>o</sub>						
98XC0182001	115	50	1	16,00	33,92	1,40	0,06	1300	32	130	150	12,00	
	115	60	1	21,00	44,52	2,10	0,08	1700	35	110	130	10,00	
98XC0181001	220	50	1	16,00	33,92	1,40	0,06	1300	32	80	90	14,00	
	220	60	1	21,00	44,52	2,10	0,08	1700	35	70	75	12,00	
98XY0182001	115	50	1	27,00	57,24	3,50	0,14	2100	36	120	140	10,00	
	115	60	1	31,00	65,72	3,30	0,13	2400	38	100	120	9,00	
98XY0181001	220	50	1	27,00	57,24	3,50	0,14	2100	36	65	80	12,00	
	220	60	1	31,00	65,72	3,30	0,13	2400	38	55	65	10,00	
98XH0182001	115	50	1	31,00	65,72	6,00	0,24	2550	41	135	200	13,00	
	115	60	1	37,00	78,44	5,00	0,20	3000	44	110	180	11,00	
98XH0181001	220	50	1	31,00	65,72	6,00	0,24	2550	41	80	100	15,00	
	220	60	1	37,00	78,44	5,00	0,20	3000	44	65	90	13,00	

### DRAWING AND AIRFLOW CURVE



Non contractual document. All specifications are subject to change without prior notice. For professional use only. Please refer to the conditions of use of our catalogue.