



Size Range

120 x 120 x 38 mm
AC AXIAL FAN

4,72 x 4,72 x 1,5 "

TECHNICAL DATA

Characteristics

- Weight: 0,56 Kg / 1,24 Lb
- Housing in Aluminium
- Impeller in plastic UL 94 V-0
- L-10 life expectancy at 40°C: 80.000 hours
- Operating temperature range: -54 / +100 °C
- Storage temperature: -54 / +100°C
- Connection: Terminals
- Impedance protected
- IP20

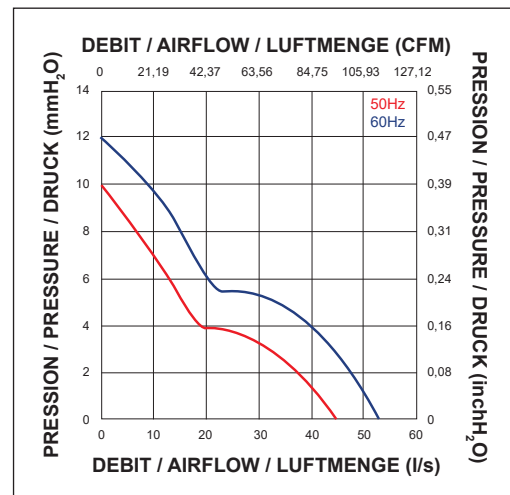
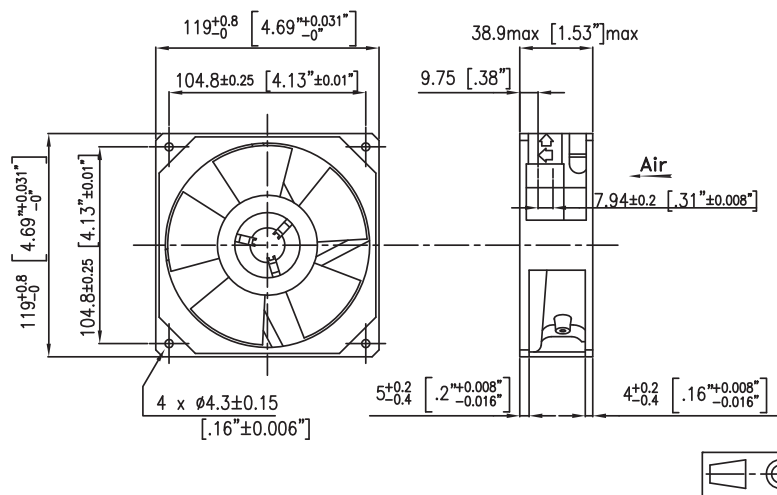
Options

- Speed sensor
- Other IP levels
- Flying leads connection
- Salt spray protection
- Shocks and vibrations protection
- Marine application
- Other voltages
- Dual voltage 115-230V

ELECTRICAL AND AERAILIC DATA

Part Number	Voltage Frequency		Nb Phases	Airflow		Pressure		Nominal speed RPM	Noise level LP dBA	Nominal current mA	Starting current mA	power W	Capacitor μ F
	V	Hz		l/s	CFM	mm H ₂ o	inch H ₂ o						
125XR5182002	115	50	1	45,00	95,40	10,00	0,39	2800	43	200	310	16,00	
	115	60	1	53,00	112,36	12,00	0,47	3300	48	180	260	15,00	
125XR5181002	220	50	1	45,00	95,40	10,00	0,39	2800	43	125	170	18,00	
	220	60	1	53,00	112,36	12,00	0,47	3300	48	105	150	15,00	

DRAWING AND AIRFLOW CURVE



Non contractual document. All specifications are subject to change without prior notice. For professional use only. Please refer to the conditions of use of our catalogue.