



Size Range 120 x 120 x 38 mm 4,72 x 4,72 x 1,5 " HIGH PERFORMANCE BDC FAN

TECHNICAL DATA

Characteristics

- Weight: 0,5 Kg / 1,11 Lb
- Housing in Aluminium
- Impeller in plastic
- L-10 life expectancy at 40°C: 80.000 hours
- Operating temperature range: -40 / +85 °C
- Storage temperature: -54 / +85°C
- Connection: Terminals
- GAM T1 listed
- Brushless DC motor
- Integrated circuit
- IP20

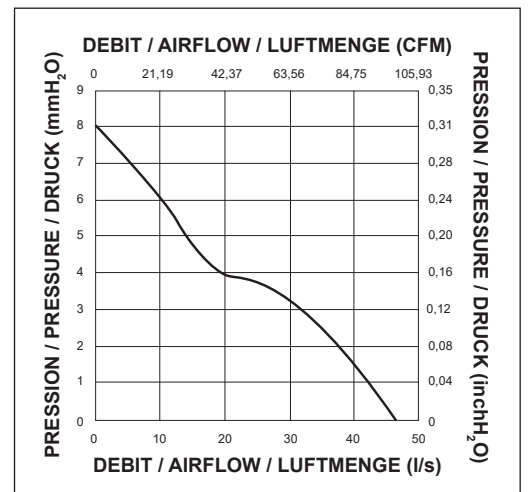
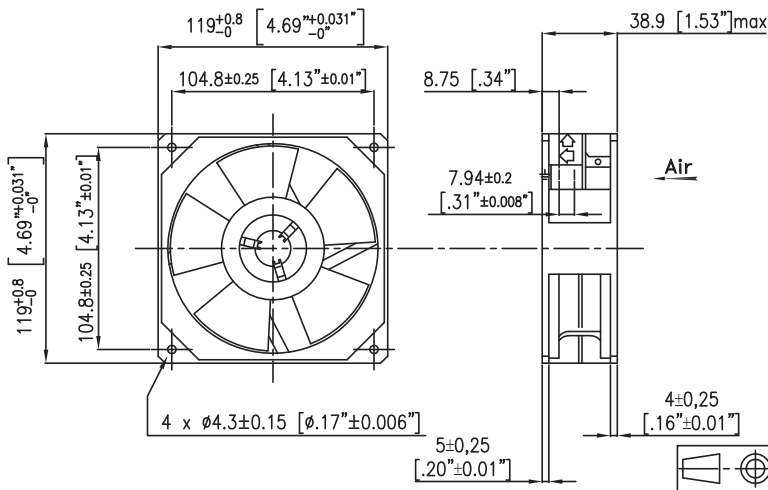
Options

- Speed sensor
- Alarm
- Other IP levels
- Flying leads connection
- Salt spray protection
- Shocks and vibrations protection
- Marine application
- Wide temperature range
- Other voltages
- Others speeds

ELECTRICAL AND AERAILIC DATA

Part Number	Voltage	Voltage range	Airflow		Pressure		Nominal speed	Noise level LP	Nominal current	power
	V		l/s	CFM	mm H ₂ o	inch H ₂ o	RPM	dBA	A	W
125YG51B8002	12	10,8-13,2 V	46,00	97,52	8,00	0,31	2900	45	0,50	6,00
125YG51C8002	24	21,6-26,4 V	46,00	97,52	8,00	0,31	2900	45	0,18	4,30
125YG51E8002	28	25,2-30,8 V	46,00	97,52	8,00	0,31	2900	45	0,14	3,90

DRAWING AND AIRFLOW CURVE



Non contractual document. All specifications are subject to change without prior notice. For professional use only. Please refer to the conditions of use of our catalogue.