



Size Range

110 x 80 x 25 mm
AC AXIAL FAN

4,33 x 3,15 x 1 "

TECHNICAL DATA

Characteristics

- Weight: 0,3 Kg / 0,66 Lb
- Housing in ZAMAK
- Impeller in plastic UL 94 V-0
- L-10 life expectancy at 40°C: 80.000 hours
- Operating temperature range: -10 / +70°C
- Storage temperature: -54 / +85°C
- Connection: Leads
- Impedance protected
- IP20

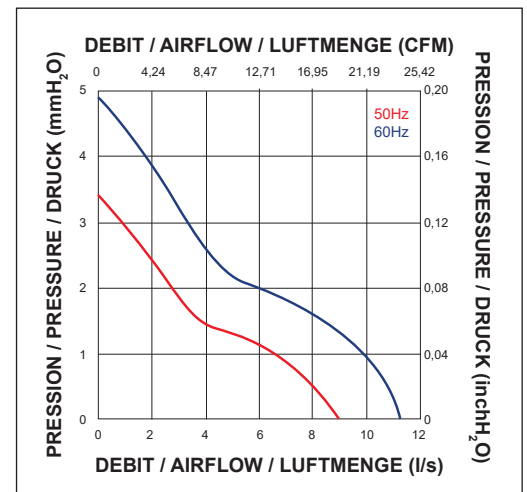
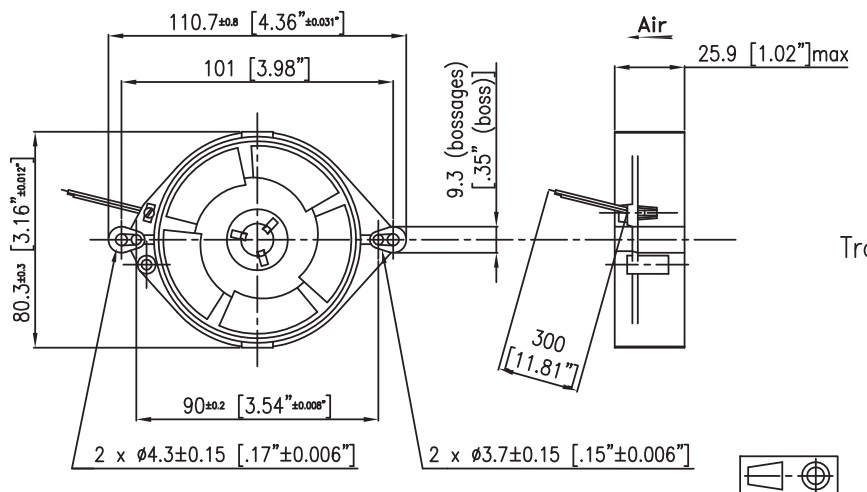
Options

- Other IP levels
- Salt spray protection
- Shocks and vibrations protection
- Marine application
- Wide temperature range
- Other voltages

ELECTRICAL AND AERAILIC DATA

| Part Number | Voltage Frequency | | Nb Phases | Airflow | | Pressure | | Nominal speed RPM | Noise level LP dBA | Nominal current mA | Starting current mA | power W | Capacitor μ F |
|--------------|-------------------|----|-----------|---------|-------|-------------------|---------------------|-------------------|--------------------|--------------------|---------------------|---------|-------------------|
| | V | Hz | | l/s | CFM | mm H _o | inch H _o | | | | | | |
| 146DF0182001 | 115 | 50 | 1 | 9,00 | 19,08 | 3,30 | 0,13 | 2500 | 26 | 105 | 120 | 10,00 | |
| | 115 | 60 | 1 | 11,00 | 23,32 | 4,80 | 0,19 | 3100 | 32 | 90 | 110 | 8,00 | |
| 146DF0181001 | 220 | 50 | 1 | 9,00 | 19,08 | 3,30 | 0,13 | 2500 | 26 | 60 | 70 | 11,00 | |
| | 220 | 60 | 1 | 11,00 | 23,32 | 4,80 | 0,19 | 3100 | 32 | 50 | 60 | 9,00 | |

DRAWING AND AIRFLOW CURVE



Non contractual document. All specifications are subject to change without prior notice. For professional use only. Please refer to the conditions of use of our catalogue.