



172 x 150 x 38 mm 6,77 x 5,9 x 1,5 "  
AC AXIAL FAN

### TECHNICAL DATA

#### Characteristics

- Weight: 0,805 Kg / 1,78 Lb
- Housing in Aluminium
- Impeller in plastic UL 94 V-0
- L-10 life expectancy at 40°C: 80.000 hours
- Operating temperature range: -40 / +85 °C
- Storage temperature: -54 / +85°C
- Connection: Terminals
- GAM T1 listed
- VE/VP impedance protected, VK thermally protected
- IP20

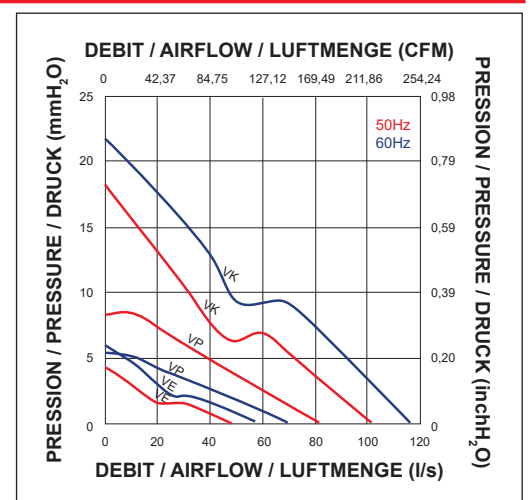
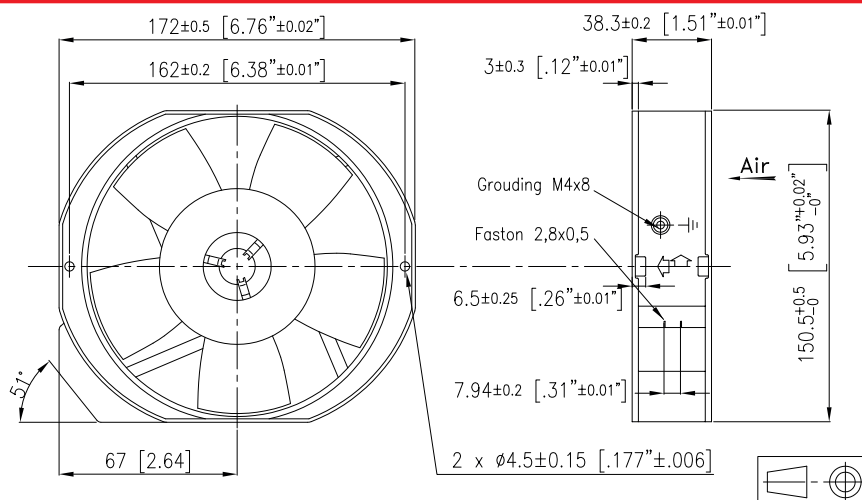
#### Options

- Speed sensor
- Other IP levels
- Flying leads connection
- Salt spray protection
- Shocks and vibrations protection
- Marine application
- Wide temperature range
- Other voltages
- Three phases

### ELECTRICAL AND AERAILIC DATA

Part Number	Voltage	Frequency	Nb Phases	Airflow		Pressure		Nominal speed RPM	Noise level LP dBA	Nominal current mA	Starting current mA	power W	Capacitor µF
	V	Hz		l/s	CFM	mm H <sub>2</sub> o	inch H <sub>2</sub> o						
148VE0282030	115	50	1	49,00	103,88	4,50	0,18	1400	36	100	140	11,00	1,00
	115	60	1	58,00	122,96	6,00	0,24	1650	39	90	140	11,00	1,00
148VE0281030	220	50	1	49,00	103,88	4,50	0,18	1400	36	60	80	13,00	0,32
	220	60	1	58,00	122,96	6,00	0,24	1650	39	60	80	14,00	0,32
148VP0282030	115	50	1	81,00	171,72	7,30	0,29	2350	50	120	170	14,00	2,20
	115	60	1	70,00	148,40	5,60	0,22	2100	46	160	180	18,00	2,20
148VP0281030	220	50	1	82,00	173,84	8,30	0,33	2400	49	70	100	16,00	0,69
	220	60	1	70,00	148,40	5,40	0,21	2000	44	100	105	22,00	0,69
148VK0282030	115	50	1	100,00	212,00	18,70	0,74	2850	54	300	610	32,00	2,70
	115	60	1	119,00	252,28	24,00	0,94	3300	57	270	590	32,00	2,70
148VK0281030	220	50	1	100,00	212,00	18,00	0,71	2800	53	200	390	35,00	2,20
	220	60	1	117,00	248,04	21,00	0,83	3200	57	170	370	33,00	2,20

### DRAWING AND AIRFLOW CURVE



Non contractual document. All specifications are subject to change without prior notice. For professional use only. Please refer to the conditions of use of our catalogue.