



Size 149,2 x 228,5 mm 5,87 x 8,99 "
 Range 400Hz HIGH PERFORMANCES AXIAL FAN

TECHNICAL DATA

Characteristics

- Weight: 3,6 Kg / 7,96 Lb
- Housing in Aluminium
- Impeller in metal
- L-10 life expectancy at 40°C: 25.000 hours
- Operating temperature range: -50 / +70 °C
- Storage temperature: -65 / +70°C
- Connection: Leads
- IP41

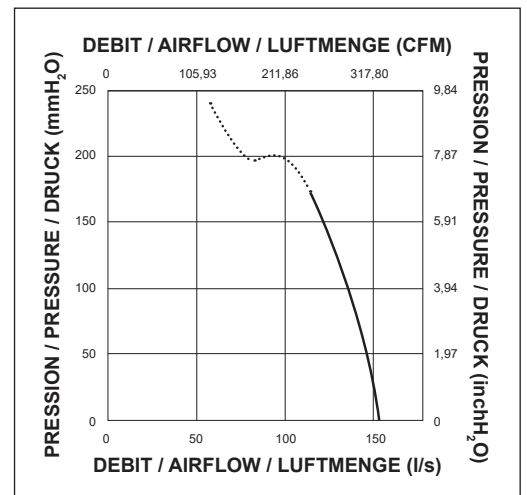
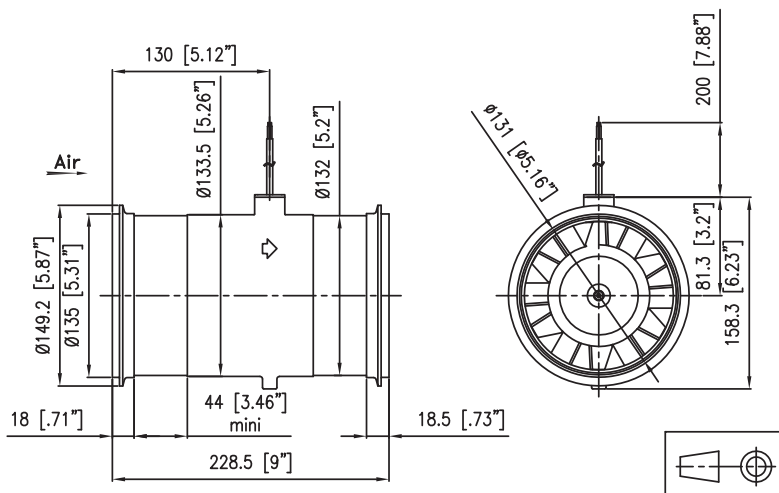
Options

- Speed sensor
- Other IP levels
- Terminal connection
- Salt spray protection
- Shocks and vibrations protection
- Marine application
- Wide temperature range
- Other voltages
- NATO Codification (not on all part numbers, please consult the factory for more detailed information)

ELECTRICAL AND AERAILIC DATA

Part Number	Voltage	Frequency	Nb Phases	Airflow		Pressure		Nominal speed RPM	Noise level LP dBA	Nominal current A	Starting current A	power W	Capacitor μ F
	V	Hz		l/s	CFM	mm H ₂ O	inch H ₂ O						
155BW1160C13 NR	200	400	3	160,00	339,20	440,00	17,32	11600	84	1,60	10,00	350,00	

DRAWING AND AIRFLOW CURVE



Non contractual document. All specifications are subject to change without prior notice. For professional use only. Please refer to the conditions of use of our catalogue.