



Size Range

120 x 120 x 32 mm
BDC AXIAL FAN

4,72 x 4,72 x 1,26 "

TECHNICAL DATA

Characteristics

- Weight: 0,23 Kg / 0,51 Lb
- Housing in plastic UL 94 V-0
- Impeller in plastic UL 94 V-0
- L-10 life expectancy at 40°C: 80.000 hours
- Operating temperature range: -20 / +55 °C
- Storage temperature: -40 / +70°C
- Connection: Leads
- Brushless DC motor
- Intégrated circuit
- IP20

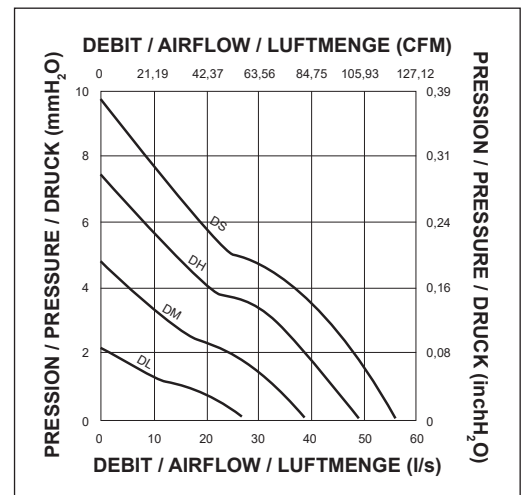
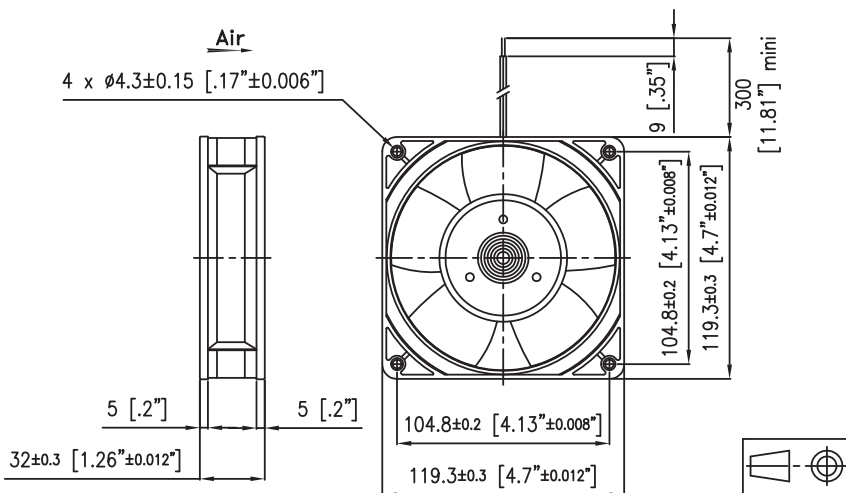
Options

- Speed sensor
- Alarm
- Other IP levels up to IP66
- Terminal connection
- Salt spray protection
- Shocks and vibrations protection
- Marine application
- Other voltages
- Others speeds

ELECTRICAL AND AERAULIC DATA

Part Number	Voltage		Airflow		Pressure		Nominal speed	Noise level LP	Nominal current	power
	V	Voltage range	l/s	CFM	mm H ₂ o	inch H ₂ o	RPM	dBA	mA	W
158DL1LP11000	12	6-15V	27,00	57,24	2,24	0,09	1680	30	133	1,60
158DL2LP11000	24	15-28V	27,00	57,24	2,24	0,09	1680	30	75	1,80
158DL4LP11000	48	22-56V	27,00	57,24	2,24	0,09	1680	30	44	2,10
158DM1LP11000	12	6-15V	39,00	82,68	4,79	0,19	2450	38	275	3,30
158DM2LP11000	24	15-28V	39,00	82,68	4,79	0,19	2450	38	146	3,50
158DM4LP11000	48	22-56V	39,00	82,68	4,79	0,19	2450	38	77	3,70
158DH1LP11000	12	6-15V	49,00	103,88	7,44	0,29	3050	43	517	6,20
158DH2LP11000	24	15-28V	49,00	103,88	7,44	0,29	3050	43	258	6,20
158DH4LP11000	48	22-56V	49,00	103,88	7,44	0,29	3050	43	129	6,20
158DS1LP11000	12	6-13,2V	55,90	118,51	9,69	0,38	3480	46	834	10,00
158DS2LP11000	24	15-28V	55,90	118,51	9,69	0,38	3480	46	362	8,70
158DS4LP11000	48	22-56V	55,90	118,51	9,69	0,38	3480	46	181	8,70

DRAWING AND AIRFLOW CURVE



Non contractual document. All specifications are subject to change without prior notice. For professional use only. Please refer to the conditions of use of our catalogue.