



Size Range 144 x 156 x 209,5 mm 5,67 x 6,14 x 8,24 " AC HIGH PERFORMANCES CENTRIFUGAL FAN

TECHNICAL DATA

Characteristics

- Weight: 3,75 Kg / 8,29 Lb
- Housing in Aluminium
- Turbine in metal
- L-10 life expectancy at 40°C: 25.000 hours
- Operating temperature range: -10 / +70 °C
- Storage temperature: -54 / +85°C
- Connection: Leads
- IP40

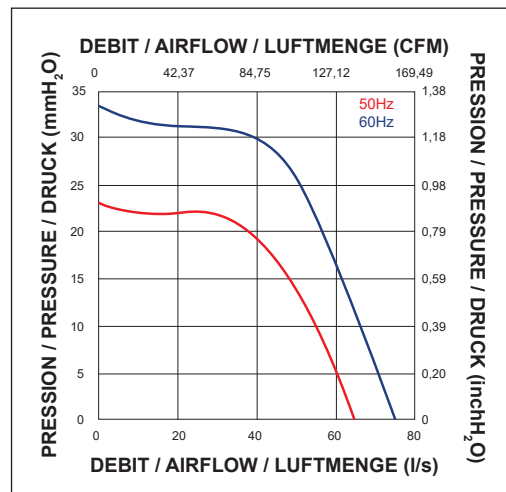
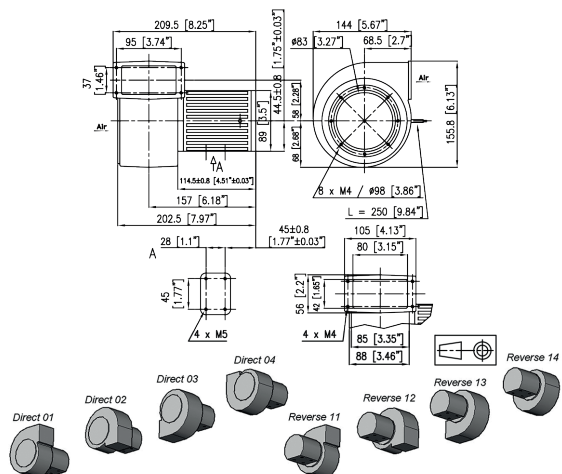
Options

- Speed sensor
- Other IP levels
- Salt spray protection
- Shocks and vibrations protection
- Marine application
- Wide temperature range
- Other voltages
- Safety switch

ELECTRICAL AND AERAILIC DATA

Part Number	Voltage	Frequency	Nb Phases	Airflow		Pressure		Nominal speed	Noise level LP	Nominal current	Starting current	power	Capacitor
				l/s	CFM	mm H _o	inch H _o						
607COV016DC13	220	50	3	65,00	137,80	23,00	0,91	2900	63	0,25	1,25	50,00	
	380	50	3	65,00	137,80	23,00	0,91	2900	63	0,15	0,75	50,00	
	220	60	3	72,00	152,64	33,00	1,30	3300	66	0,25	1,15	72,00	
	380	60	3	72,00	152,64	33,00	1,30	3300	66	0,15	0,70	72,00	
	220	50	1	65,00	137,80	23,00	0,91	2900	63	0,25	1,10	54,00	4,70
	380	50	1	65,00	137,80	23,00	0,91	2900	63	0,15	0,65	54,00	1,47
	220	60	1	72,00	152,64	33,00	1,30	3300	66	0,37	1,00	83,00	4,70
	380	60	1	72,00	152,64	33,00	1,30	3300	66	0,22	0,60	83,00	1,47
607COV116DC13	220	50	3	65,00	137,80	23,00	0,91	2900	63	0,25	1,25	50,00	
	380	50	3	65,00	137,80	23,00	0,91	2900	63	0,15	0,75	50,00	
	220	60	3	72,00	152,64	33,00	1,30	3300	66	0,25	1,15	72,00	
	380	60	3	72,00	152,64	33,00	1,30	3300	66	0,15	0,70	72,00	
	220	50	1	65,00	137,80	23,00	0,91	2900	63	0,25	1,10	54,00	4,70
	380	50	1	65,00	137,80	23,00	0,91	2900	63	0,15	0,65	54,00	1,47
	220	60	1	72,00	152,64	33,00	1,30	3300	66	0,37	1,00	83,00	4,70
	380	60	1	72,00	152,64	33,00	1,30	3300	66	0,22	0,60	83,00	1,47

DRAWING AND AIRFLOW CURVE



Non contractual document. All specifications are subject to change without prior notice. For professional use only. Please refer to the conditions of use of our catalogue.