



Size Range 165 x 181 x 190 mm 6,49 x 7,12 x 7,48 "  
AC HIGH PERFORMANCES CENTRIFUGAL FAN

### TECHNICAL DATA

#### Characteristics

- Weight: 3,6 Kg / 7,96 Lb
- Housing in Aluminium
- Turbine in metal
- L-10 life expectancy at 40°C: 25.000 hours
- Operating temperature range: -10 / +70 °C
- Storage temperature: -54 / +85°C
- Connection: Leads
- IP40

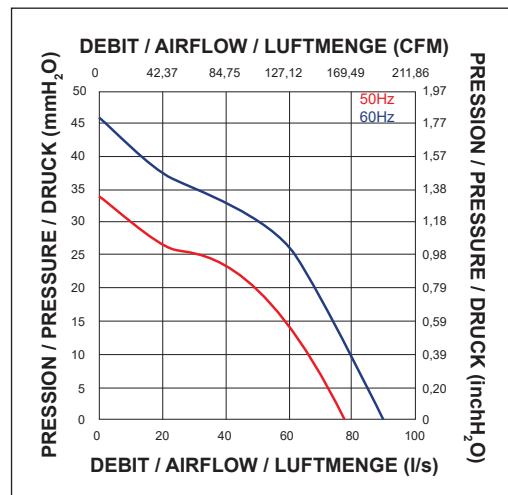
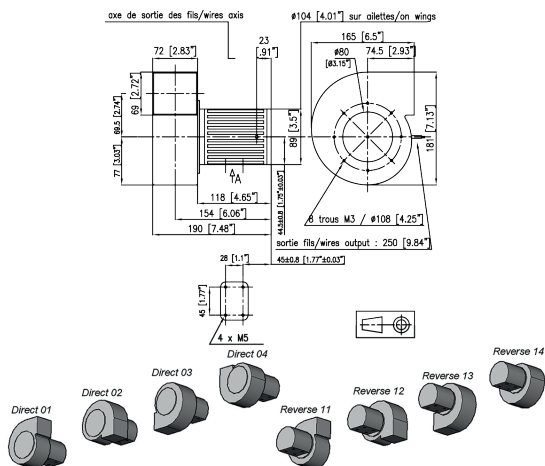
#### Options

- Speed sensor
- Other IP levels
- Salt spray protection
- Shocks and vibrations protection
- Marine application
- Wide temperature range
- Other voltages
- Safety switch

### ELECTRICAL AND AERAILIC DATA

Part Number	Voltage	Frequency	Nb Phases	Airflow		Pressure		Nominal speed RPM	Noise level LP dBA	Nominal current A	Starting current A	power W	Capacitor µF
	V	Hz		l/s	CFM	mm H <sub>2</sub> o	inch H <sub>2</sub> o						
609COV016DC13	220	50	3	79,00	167,48	32,00	1,26	2800	65	0,26	1,25	60,00	
	380	50	3	79,00	167,48	32,00	1,26	2800	65	0,15	0,75	60,00	
	220	60	3	89,00	188,68	45,00	1,77	3200	68	0,30	1,15	88,00	
	380	60	3	89,00	188,68	45,00	1,77	3200	68	0,17	0,70	88,00	
	220	50	1	79,00	167,48	32,00	1,26	2800	65	0,29	1,10	66,00	4,70
	380	50	1	79,00	167,48	32,00	1,26	2800	65	0,16	0,65	66,00	1,47
	220	60	1	89,00	188,68	45,00	1,77	3200	68	0,44	1,00	97,00	4,70
	380	60	1	89,00	188,68	45,00	1,77	3200	68	0,25	0,60	97,00	1,47
609COV116DC13	220	50	3	79,00	167,48	32,00	1,26	2800	65	0,26	1,25	60,00	
	380	50	3	79,00	167,48	32,00	1,26	2800	65	0,15	0,75	60,00	
	220	60	3	89,00	188,68	45,00	1,77	3200	68	0,30	1,15	88,00	
	380	60	3	89,00	188,68	45,00	1,77	3200	68	0,17	0,70	88,00	
	220	50	1	79,00	167,48	32,00	1,26	2800	65	0,29	1,10	66,00	4,70
	380	50	1	79,00	167,48	32,00	1,26	2800	65	0,16	0,65	66,00	1,47
	220	60	1	89,00	188,68	45,00	1,77	3200	68	0,44	1,00	97,00	4,70
	380	60	1	89,00	188,68	45,00	1,77	3200	68	0,25	0,60	97,00	1,47

### DRAWING AND AIRFLOW CURVE



Non contractual document. All specifications are subject to change without prior notice. For professional use only. Please refer to the conditions of use of our catalogue.