



Size Range 350 x 158 mm 13,77 x 6,22 " AC HIGH PERFORMANCES AXIAL FAN

### TECHNICAL DATA

#### Characteristics

- Weight: 10,25 to 11 Kg / 22,62 to 24,28 Lb
- Housing in Aluminium
- Impeller in metal
- L-10 life expectancy at 40°C: 25.000 hours
- Operating temperature range: -10 / +70 °C
- Storage temperature: -54 / +85°C
- Connection: Terminal box
- IP42

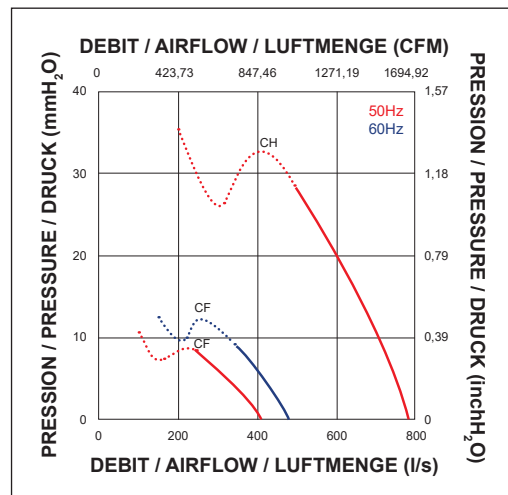
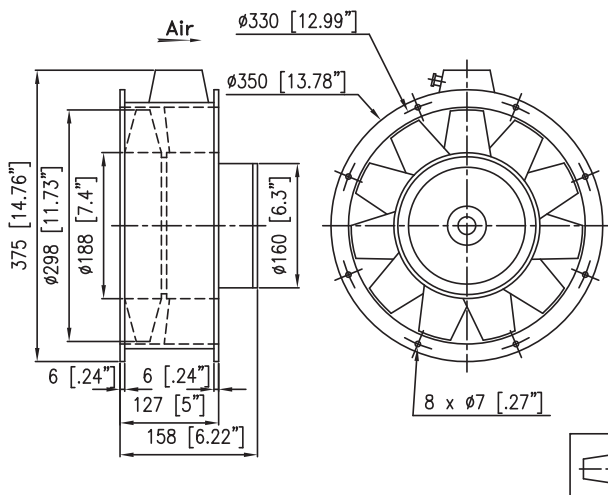
#### Options

- Speed sensor
- Other IP levels
- Salt spray protection
- Shocks and vibrations protection
- Marine application
- Wide temperature range
- Other voltages
- Safety switch
- NATO Codification (not on all part numbers, please consult the factory for more detailed information)

### ELECTRICAL AND AERAILIC DATA

Part Number	Voltage	Frequency	Nb Phases	Airflow		Pressure		Nominal speed RPM	Noise level LP dBA	Nominal current A	Starting current A	power W	Capacitor µF
	V	Hz		l/s	CFM	mm H <sub>2</sub> o	inch H <sub>2</sub> o						
60CF016DC13	220	50	3	410,00	869,20	15,00	0,59	1450	61	0,37	2,00	64,00	
	380	50	3	410,00	869,20	15,00	0,59	1450	61	0,21	1,15	64,00	
	220	60	3	480,00	1017,60	20,00	0,79	1700	65	0,33	1,80	83,00	
	380	60	3	480,00	1017,60	20,00	0,79	1700	65	0,19	1,05	83,00	
	220	50	1	410,00	869,20	15,00	0,59	1450	61	0,32	1,70	67,00	6,90
	380	50	1	410,00	869,20	15,00	0,59	1450	61	0,19	0,98	67,00	2,20
	220	60	1	480,00	1017,60	20,00	0,79	1700	65	0,47	1,60	102,00	6,90
	380	60	1	480,00	1017,60	20,00	0,79	1700	65	0,27	0,93	102,00	2,20
60CH016DC13	220	50	3	780,00	1653,60	51,00	2,01	2700	79	1,50	6,30	406,00	
	380	50	3	780,00	1653,60	51,00	2,01	2700	79	0,87	3,60	406,00	
	220	50	1	775,00	1643,00	49,00	1,93	2700	79	1,90	5,00	400,00	20,00
	380	50	1	775,00	1643,00	49,00	1,93	2700	79	1,10	3,00	400,00	6,90

### DRAWING AND AIRFLOW CURVE



Non contractual document. All specifications are subject to change without prior notice. For professional use only. Please refer to the conditions of use of our catalogue.