



Size Range 239,5 x 151 mm 9,43 x 5,94 "
HIGH PERFORMANCE BDC FAN

TECHNICAL DATA

Characteristics

- Weight: 5,5 Kg / 12,16 Lb
- Housing in Aluminium
- Impeller in plastic
- L-10 life expectancy at 40°C: 40.000 hours
- Operating temperature range: -25 / +70 °C
- Storage temperature: -25 / +70°C
- Connection: Leads
- Brushless DC motor
- IP55

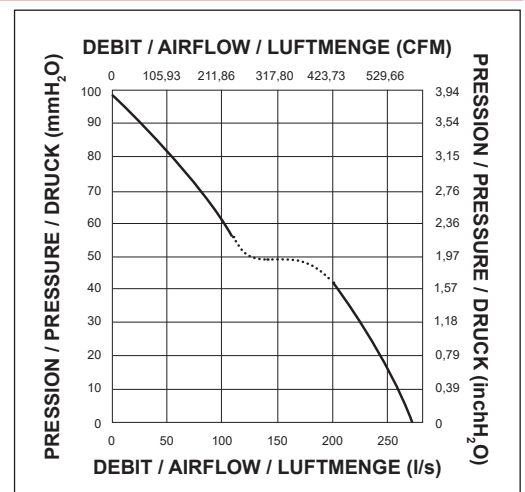
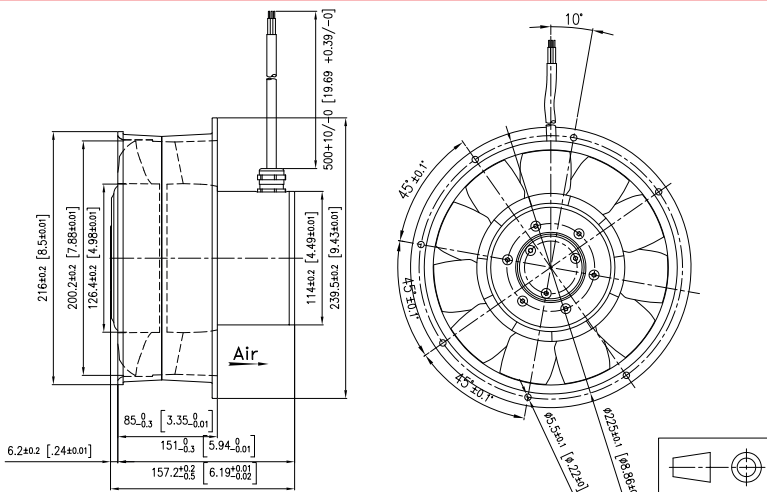
Options

- Speed sensor
- Alarm
- Other IP levels
- Terminal connection
- Salt spray protection
- Shocks and vibrations protection
- Marine application
- Wide temperature range
- Other voltages
- Others speeds
- Terminal block

ELECTRICAL AND AERAULIC DATA

Part Number	Voltage	Voltage range	Airflow		Pressure		Nominal speed	Noise level LP	Nominal current	power
	V		l/s	CFM	mm H ₂ o	inch H ₂ o	RPM	dBA	A	W
63DBV01E6000	28	17V-33V	273,00	578,76	100,14	3,94	4750	76	0,60	175,00

DRAWING AND AIRFLOW CURVE



Non contractual document. All specifications are subject to change without prior notice. For professional use only. Please refer to the conditions of use of our catalogue.