



Size Range 213 x 239 x 209,5 mm 8,38 x 9,41 x 8,24 " AC HIGH PERFORMANCES CENTRIFUGAL FAN

### TECHNICAL DATA

#### Characteristics

- Weight: 6,5 Kg / 14,37 Lb
- Housing in Aluminium
- Turbine in metal
- L-10 life expectancy at 40°C: 25.000 hours
- Operating temperature range: -10 / +70 °C
- Storage temperature: -54 / +85°C
- Connection: Leads
- GAM T1 listed
- IP40

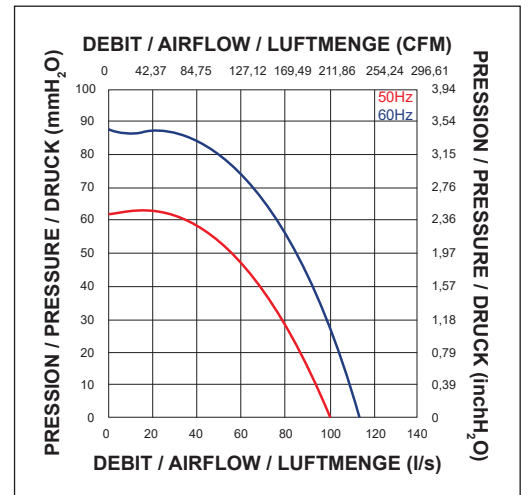
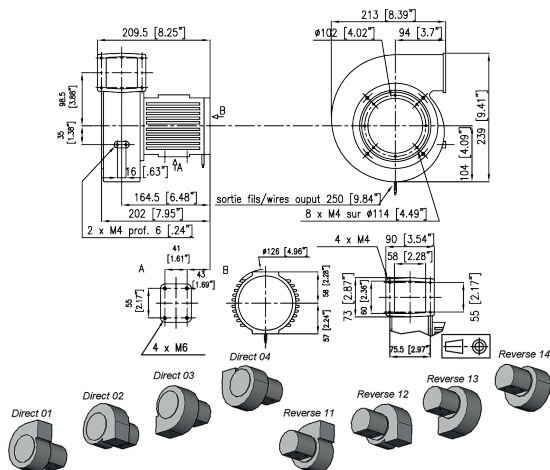
#### Options

- Speed sensor
- Other IP levels
- Salt spray protection
- Shocks and vibrations protection
- Marine application
- Wide temperature range
- Other voltages
- Safety switch

### ELECTRICAL AND AERAILIC DATA

Part Number	Voltage	Frequency	Nb Phases	Airflow		Pressure		Nominal speed RPM	Noise level LP dBA	Nominal current A	Starting current A	power W	Capacitor µF
	V	Hz		l/s	CFM	mm H <sub>2</sub> o	inch H <sub>2</sub> o						
661CHL016DC13	220	50	3	100,00	212,00	61,00	2,40	2850	68	0,70	3,40	150,00	
	380	50	3	100,00	212,00	61,00	2,40	2850	68	0,40	2,00	150,00	
	220	60	3	115,00	243,80	86,00	3,38	3250	71	0,80	3,45	225,00	
	380	60	3	115,00	243,80	86,00	3,38	3250	71	0,46	2,00	225,00	
	220	50	1	100,00	212,00	61,00	2,40	2850	68	0,75	3,10	155,00	10,00
	380	50	1	100,00	212,00	61,00	2,40	2850	68	0,45	1,80	155,00	3,20
	220	60	1	115,00	243,80	86,00	3,38	3250	71	1,10	2,85	240,00	10,00
	380	60	1	115,00	243,80	86,00	3,38	3250	71	0,65	1,70	240,00	3,20

### DRAWING AND AIRFLOW CURVE



Non contractual document. All specifications are subject to change without prior notice. For professional use only. Please refer to the conditions of use of our catalogue.