



Size Range 130 x 64,5 mm 5,12 x 2,54 " AC HIGH PERFORMANCES AXIAL FAN

TECHNICAL DATA

Characteristics

- Weight: 0,7 Kg / 1,55 Lb
- Housing in Aluminium
- Impeller in metal
- L-10 life expectancy at 40°C: 25.000 hours
- Operating temperature range: -10 / +70 °C
- Storage temperature: -54 / +85°C
- Connection: Leads
- IP40

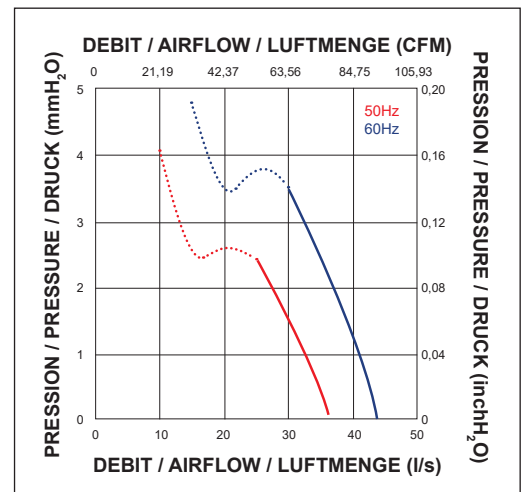
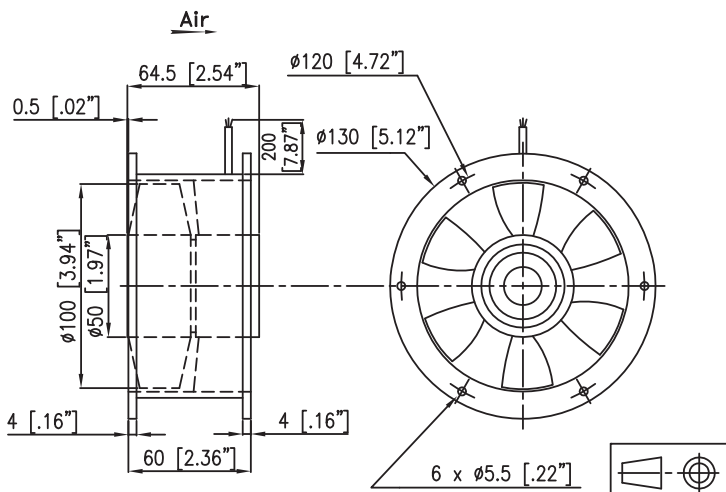
Options

- Speed sensor
- Other IP levels
- Salt spray protection
- Shocks and vibrations protection
- Marine application
- Wide temperature range
- Other voltages
- NATO Codification (not on all part numbers, please consult the factory for more detailed information)

ELECTRICAL AND AERAILIC DATA

Part Number	Voltage	Frequency	Nb Phases	Airflow		Pressure		Nominal speed RPM	Noise level LP dBA	Nominal current A	Starting current A	power W	Capacitor μF
	V	Hz		l/s	CFM	mm H ₂ o	inch H ₂ o						
80CE0161C13	220	50	3	36,00	76,32	6,50	0,26	2900	45	0,09	0,12	24,80	
	220	60	3	44,00	93,28	9,00	0,35	3400	49	0,08	0,12	19,80	
	220	50	1	36,00	76,32	6,50	0,26	2900	45	0,08	0,11	18,30	1,00
	220	60	1	44,00	93,28	9,00	0,35	3400	49	0,08	0,11	16,80	1,00

DRAWING AND AIRFLOW CURVE



Non contractual document. All specifications are subject to change without prior notice. For professional use only. Please refer to the conditions of use of our catalogue.