



Size Range

180 x 87 mm

7,08 x 3,42 "

AC HIGH PERFORMANCES AXIAL FAN

TECHNICAL DATA

Characteristics

- Weight:
 - 85/86CB01 : 2,1 Kg/4,64 Lb
 - 85/86CB02 : 1,7 Kg/3,75 Lb
- Housing in Aluminium
- Impeller in plastic
- L-10 life expectancy at 40°C: 25.000 hours
- Operating temperature range: -10 / +70 °C
- Storage temperature: -54 / +85°C
- Connection: Leads
- IP40

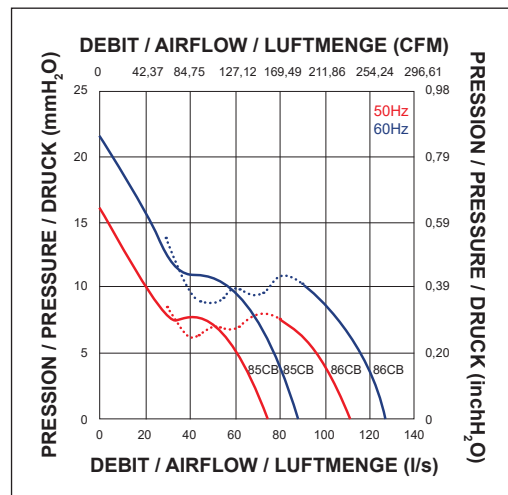
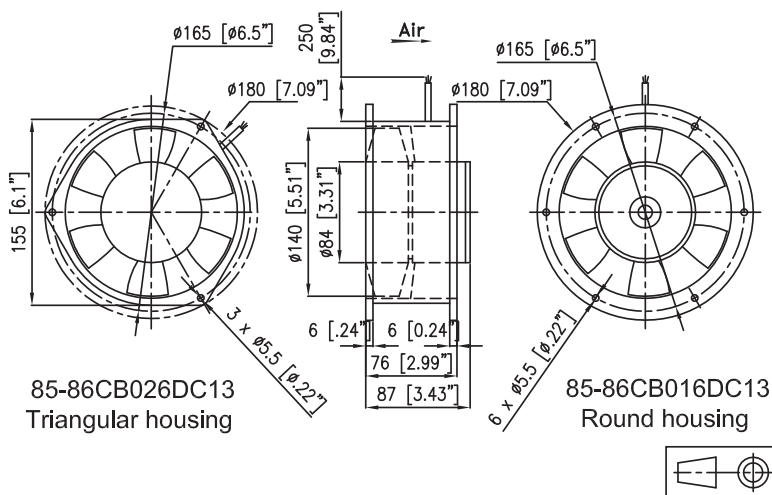
Options

- Speed sensor
- Other IP levels
- Salt spray protection
- Shocks and vibrations protection
- Marine application
- Wide temperature range
- Other voltages
- Safety switch
- Aluminium impeller
- NATO Codification (not on all part numbers, please consult the factory for more detailed information)

ELECTRICAL AND AERAILIC DATA

Part Number	Voltage	Frequency	Nb Phases	Airflow		Pressure		Nominal speed RPM	Noise level LP dBA	Nominal current A	Starting current A	power W	Capacitor µF
	V	Hz		l/s	CFM	mm H ₂ o	inch H ₂ o						
85CB01/26DC13	220	50	3	75,00	159,00	16,00	0,63	2850	57	0,11	0,32	20,00	
	380	50	3	75,00	159,00	16,00	0,63	2850	57	0,07	0,19	20,00	
	220	60	3	88,00	186,56	21,00	0,83	3300	61	0,10	0,30	23,00	
	380	60	3	88,00	186,56	21,00	0,83	3300	61	0,06	0,18	23,00	
	220	50	1	75,00	159,00	16,00	0,63	2850	57	0,11	0,26	20,00	1,47
	380	50	1	75,00	159,00	16,00	0,63	2850	57	0,07	0,15	20,00	0,47
	220	60	1	88,00	186,56	21,00	0,83	3300	61	0,12	0,25	24,00	1,47
	380	60	1	88,00	186,56	21,00	0,83	3300	61	0,07	0,15	24,00	0,47
86CB01/26DC13	220	50	3	111,00	235,32	16,00	0,63	2800	56	0,17	0,47	35,00	
	380	50	3	111,00	235,32	16,00	0,63	2800	56	0,10	0,28	35,00	
	220	60	3	127,00	269,24	22,00	0,87	3200	60	0,15	0,44	41,00	
	380	60	3	127,00	269,24	22,00	0,87	3200	60	0,09	0,26	41,00	
	220	50	1	111,00	235,32	16,00	0,63	2800	56	0,18	0,40	34,00	2,20
	380	50	1	111,00	235,32	16,00	0,63	2800	56	0,11	0,24	34,00	0,69
	220	60	1	127,00	269,24	22,00	0,87	3200	60	0,20	0,38	42,00	2,20
	380	60	1	127,00	269,24	22,00	0,87	3200	60	0,12	0,22	42,00	0,69

DRAWING AND AIRFLOW CURVE



Non contractual document. All specifications are subject to change without prior notice. For professional use only. Please refer to the conditions of use of our catalogue.