



Size Range 180 x 104 mm 7,08 x 4,09 "  
400Hz HIGH PERFORMANCES AXIAL FAN

### TECHNICAL DATA

#### Characteristics

- Weight: 2,6 Kg/5,75 Lb
- Housing in Aluminium
- Impeller in metal
- L-10 life expectancy at 40°C: 25.000 hours
- Operating temperature range: -10 / +70 °C
- Storage temperature: -54 / +85°C
- Connection: Leads
- IP40

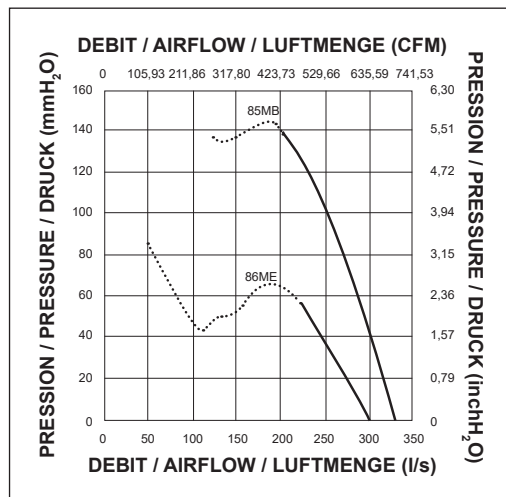
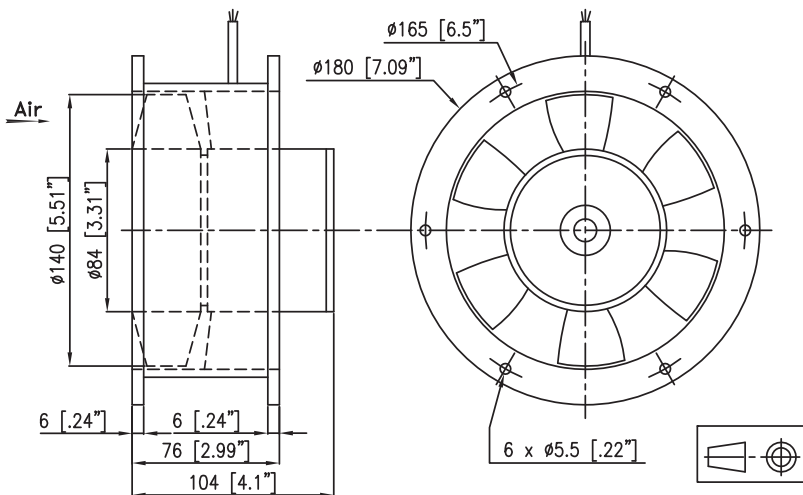
#### Options

- Speed sensor
- Other IP levels
- Salt spray protection
- Shocks and vibrations protection
- Marine application
- Wide temperature range
- Other voltages
- Safety switch
- NATO Codification (not on all part numbers, please consult the factory for more detailed information)

### ELECTRICAL AND AERAILIC DATA

Part Number	Voltage	Frequency	Nb Phases	Airflow		Pressure		Nominal speed RPM	Noise level LP dBA	Nominal current A	Starting current A	power W	Capacitor $\mu$ F
	V	Hz		l/s	CFM	mm H <sub>2</sub> o	inch H <sub>2</sub> o						
86ME0160C13 NR	200	400	3	300,00	636,00	110,00	4,33	7400	80	2,10	5,70	400,00	
86ME0162C13 NR	115	400	3	300,00	636,00	110,00	4,33	7400	80	3,70	10,00	400,00	
85MB0160C13 NR	200	400	3	330,00	699,60	260,00	10,23	11440	90	2,75	11,00	660,00	
85MB0162C13 NR	115	400	3	330,00	699,60	260,00	10,23	11440	90	4,80	19,00	660,00	

### DRAWING AND AIRFLOW CURVE



Non contractual document. All specifications are subject to change without prior notice. For professional use only. Please refer to the conditions of use of our catalogue.