



Size Range 180 x 180 mm 7,08 x 7,08 "
AC HIGH PERFORMANCES AXIAL FAN

TECHNICAL DATA

Characteristics

- Weight: 3,95 Kg / 8,73 Lb
- Housing in Aluminium
- Impeller in plastic
- L-10 life expectancy at 40°C: 25.000 hours
- Operating temperature range: -10 / +70 °C
- Storage temperature: -54 / +85°C
- Connection: Leads
- IP40

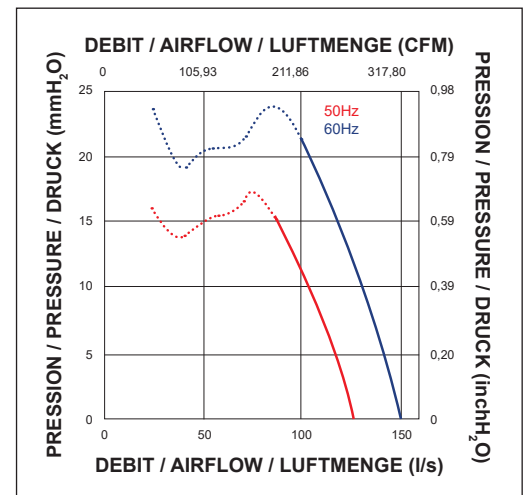
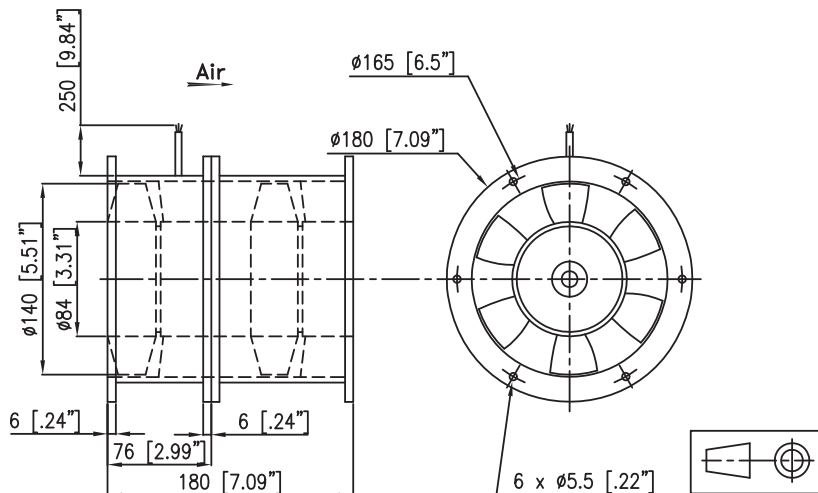
Options

- Speed sensor
- Other IP levels
- Salt spray protection
- Shocks and vibrations protection
- Marine application
- Wide temperature range
- Other voltages
- Safety switch
- Aluminium impeller
- NATO Codification (not on all part numbers, please consult the factory for more detailed information)

ELECTRICAL AND AERAILIC DATA

| Part Number | Voltage | Frequency | Nb Phases | Airflow | | Pressure | | Nominal speed RPM | Noise level LP dBA | Nominal current A | Starting current A | power W | Capacitor μ F |
|-------------|---------|-----------|-----------|---------|--------|---------------------|-----------------------|-------------------|--------------------|-------------------|--------------------|---------|-------------------|
| | V | Hz | | l/s | CFM | mm H ₂ o | inch H ₂ o | | | | | | |
| 86CD116DC13 | 220 | 50 | 3 | 126,00 | 267,12 | 28,00 | 1,10 | 2850 | 63 | 0,28 | 0,88 | 54,00 | |
| | 380 | 50 | 3 | 126,00 | 267,12 | 28,00 | 1,10 | 2850 | 63 | 0,16 | 0,51 | 54,00 | |
| | 220 | 60 | 3 | 148,00 | 313,76 | 38,00 | 1,50 | 3250 | 66 | 0,26 | 0,84 | 71,00 | |
| | 380 | 60 | 3 | 148,00 | 313,76 | 38,00 | 1,50 | 3250 | 66 | 0,15 | 0,49 | 71,00 | |
| | 220 | 50 | 1 | 126,00 | 267,12 | 28,00 | 1,10 | 2850 | 63 | 0,29 | 0,79 | 54,00 | 3,20 |
| | 380 | 50 | 1 | 126,00 | 267,12 | 28,00 | 1,10 | 2850 | 63 | 0,17 | 0,46 | 54,00 | 1,00 |
| | 220 | 60 | 1 | 144,00 | 305,28 | 38,00 | 1,50 | 3250 | 66 | 0,34 | 0,76 | 71,00 | 3,20 |
| | 380 | 60 | 1 | 144,00 | 305,28 | 38,00 | 1,50 | 3250 | 66 | 0,20 | 0,44 | 71,00 | 1,00 |

DRAWING AND AIRFLOW CURVE



Non contractual document. All specifications are subject to change without prior notice. For professional use only. Please refer to the conditions of use of our catalogue.