



Size Range 350 x 254 mm 13,77 x 10 "
AC HIGH PERFORMANCES AXIAL FAN

TECHNICAL DATA

Characteristics

- Weight: 17 Kg / 37,57 Lb
- Housing in Aluminium
- Impeller in metal
- L-10 life expectancy at 40°C: 25.000 hours
- Operating temperature range: -10 / +70 °C
- Storage temperature: -54 / +85°C
- Connection: Terminal box
- IP42

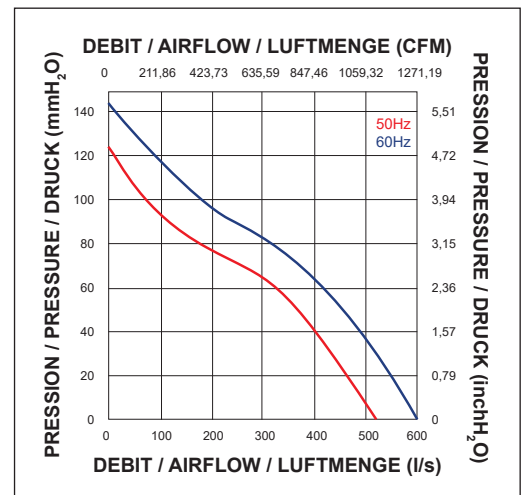
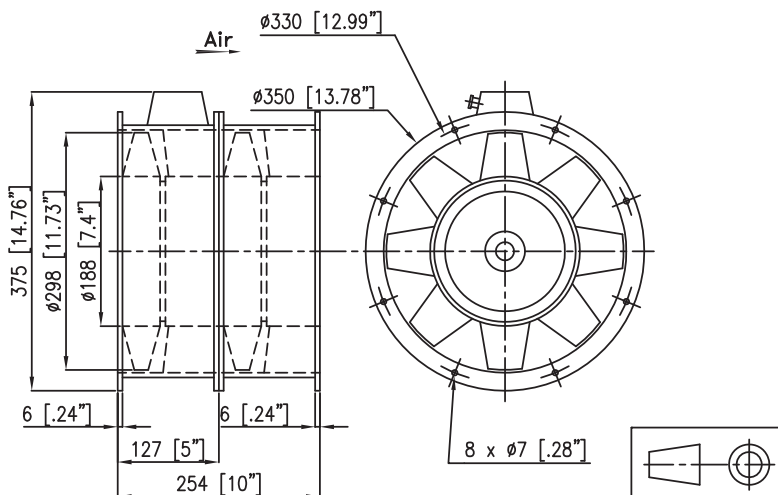
Options

- Speed sensor
- Other IP levels
- Salt spray protection
- Shocks and vibrations protection
- Marine application
- Wide temperature range
- Other voltages
- Safety switch

ELECTRICAL AND AERAULIC DATA

Part Number	Voltage	Frequency	Nb Phases	Airflow		Pressure		Nominal speed	Noise level LP	Nominal current	Starting current	power	Capacitor
	V	Hz		l/s	CFM	mm H ₂ o	inch H ₂ o						
97CJ116DC13	220	50	3	514,00	1089,68	123,00	4,84	2850	81	1,45	6,80	306,00	
	380	50	3	514,00	1089,68	123,00	4,84	2850	81	0,85	4,00	306,00	
	220	60	3	600,00	1272,00	144,00	5,67	3300	84	1,10	6,00	344,00	
	380	60	3	600,00	1272,00	144,00	5,67	3300	84	0,65	3,50	344,00	

DRAWING AND AIRFLOW CURVE



Non contractual document. All specifications are subject to change without prior notice. For professional use only. Please refer to the conditions of use of our catalogue.