



Size Range

350 x 263 mm 13,77 x 10,35 "
HIGH PERFORMANCE BDC FAN

TECHNICAL DATA

Characteristics

- Weight: 14 Kg / 30,94 Lb
- Housing in Aluminium
- Impeller in metal
- L-10 life expectancy at 40°C: 25.000 hours
- Operating temperature range: -25 / +60 °C
- Storage temperature: -40 / +80°C
- Connection: Terminal box
- Brushless DC motor
- Integrated circuit
- IP54

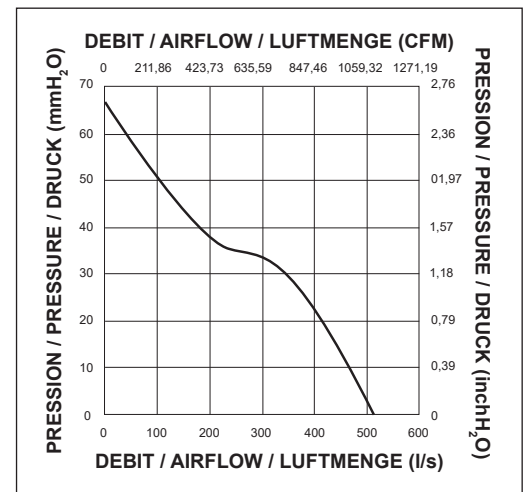
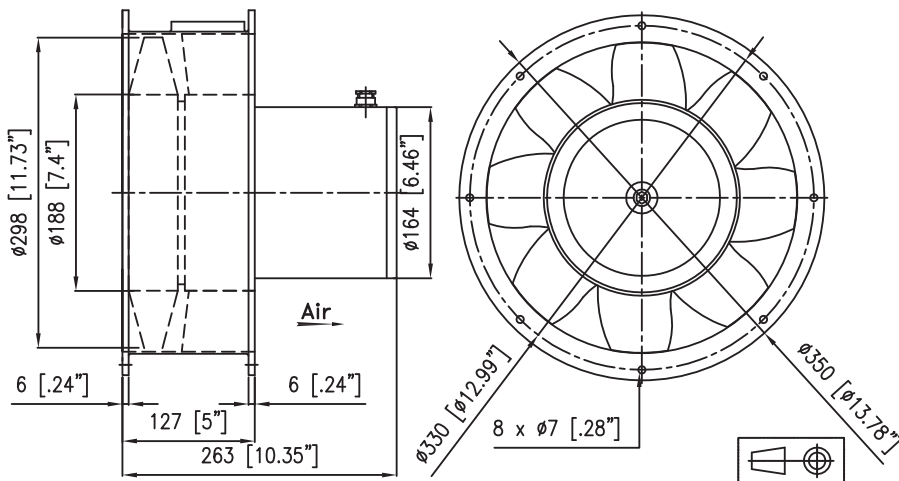
Options

- Speed sensor
- Alarm
- Other IP levels
- Flying leads connection
- Salt spray protection
- Shocks and vibrations protection
- Marine application
- Wide temperature range
- Other voltages
- Others speeds
- RoHS compliant version on demand

ELECTRICAL AND AERAILIC DATA

Part Number	Voltage	Voltage range	Airflow		Pressure		Nominal speed	Noise level LP	Nominal current	power
	V		l/s	CFM	mm H ₂ o	inch H ₂ o	RPM	dBA	A	W
97DBW01C6200B NR	26	16-30V	514,00	1089,68	71,38	2,81	3050	81	7,70	200,00

DRAWING AND AIRFLOW CURVE



Non contractual document. All specifications are subject to change without prior notice. For professional use only. Please refer to the conditions of use of our catalogue.