



Size Range

92 x 92 x 38 mm  
BDC AXIAL FAN

3,62 x 3,62 x 1,5 "

### TECHNICAL DATA

#### Characteristics

- Weight: 0,37 Kg / 0,82 Lb
- Housing in plastic UL 94 V-0
- Impeller in plastic UL 94 V-0
- L-10 life expectancy at 40°C: 25.000 hours
- Operating temperature range: -40 / +70 °C
- Storage temperature: -40 / +85°C
- Connection: Leads
- Brushless DC motor
- Integrated circuit
- IP20

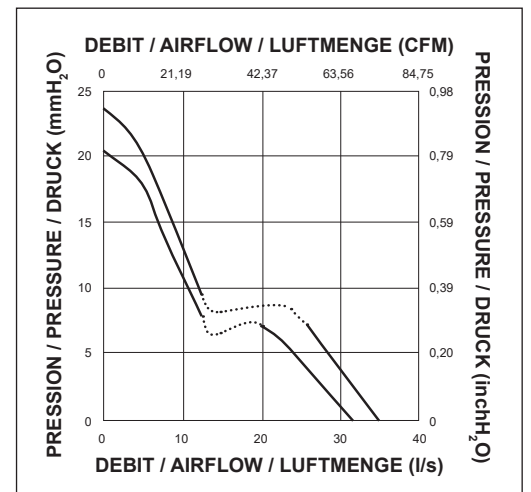
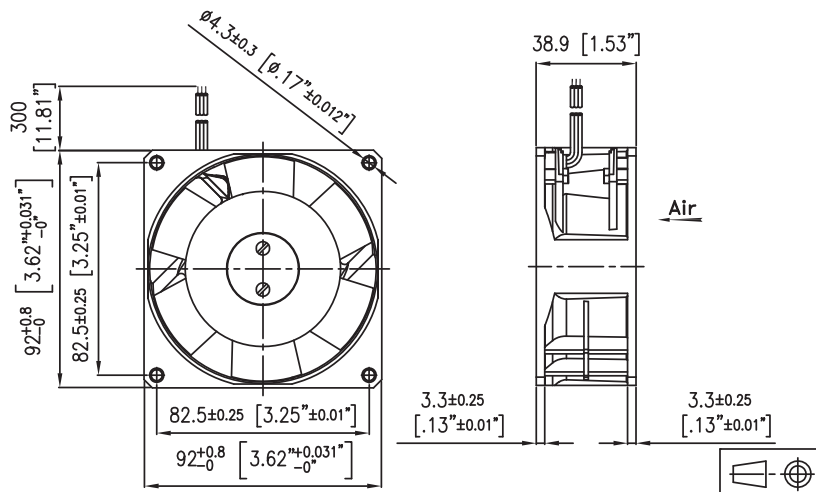
#### Options

- Speed sensor
- Alarm
- Other IP levels up to IP66
- Salt spray protection
- Shocks and vibrations protection
- Marine application
- Wide temperature range
- Other voltages
- Others speeds

### ELECTRICAL AND AERAILIC DATA

Part Number	Voltage	Voltage range	Airflow		Pressure		Nominal speed	Noise level LP	Nominal current	power
	V		l/s	CFM	mm H <sub>2</sub> o	inch H <sub>2</sub> o	RPM	dBA	mA	W
99YH2LP11000 NR	24	21,6-26,4V	31,40	66,57	20,19	0,79	5500	52	323	7,75
99YS2LP11000 NR	24	21,6-26,4V	35,30	74,84	23,96	0,94	6060	55	420	11,70

### DRAWING AND AIRFLOW CURVE



Non contractual document. All specifications are subject to change without prior notice. For professional use only. Please refer to the conditions of use of our catalogue.